

MIG/MAG Welding torches
TBi Expert



Gas cooled torches



TBi 150 Expert
Classic Series
60% (10 min.)
Mix: 150 A
CO₂: 170 A
Ø 0.6-1.0 mm

Page 4-5



TBi 240 Expert
Classic Serie
60% (10 min.)
Mix: 210 A
CO₂: 220 A
Ø 0.8-1.2 mm

Page 6-7



TBi 250 Expert
Classic Series
60% (10 min.)
Mix: 200 A
CO₂: 230 A
Ø 0.8-1.2 mm

Page 8-9



TBi 260 Expert
Classic Series
60% (10 min.)
Mix: 230 A
CO₂: 250 A
Ø 1.0-1.2 mm

Page 10-11



TBi 360 Expert
Classic Series
60% (10 min.)
Mix: 300 A
CO₂: 330 A
Ø 1.0-1.6 mm

Page 12-13



TBi 7G Expert
Top 2000 Series
60% (10 min.)
Mix: 310 A
CO₂: 340 A
Ø 1.0-1.6 mm

Page 14-15

Water cooled torches



TBi 241 Expert
Classic Series
100% (10 min.)
Mix: 270 A
CO₂: 300 A
Ø 0.8-1.2 mm

Page 16-17



TBi 351 Expert
Classic Series
100% (10 min.)
Mix: 270 A
CO₂: 300 A
Ø 0.8-1.2 mm

Page 18-19



TBi 411 Expert
Classic Series
100% (10 min.)
Mix: 450 A
CO₂: 500 A
Ø 1.0-1.6 mm

Page 20-21



TBi 7W Expert
Top 2000 Series
100% (10 min.)
Mix: 450 A
CO₂: 500 A
Ø 1.0-1.6 mm

Page 22-23



TBi 511-CC Expert
Top 2000 Series
100% (10 min.)
Mix: 500 A
CO₂: 550 A
Ø 1.2-1.6 mm
with 2-circuit cooling

Page 24-25



TBi 7W-CC Expert
Top 2000 Series
100% (10 min.)
Mix: 500 A
CO₂: 550 A
Ø 1.2-1.6 mm
with 2-circuit cooling

Page 26-27



**Wire guides and
Accessories**

Page 28-31

Technical Data

Rating at 60% duty cycle
(10 min. cycle)

- Mixed gas: 150 A
- CO₂: 170 A

Cooling method Gas cooling

Wire diameter 0.6 - 1.0 mm

Gas flow 10 l/min


Technical specification according to IEC 60974-7

Connection Euro-Central connector
Other connectors are available upon request.

Torch rating will be reduced when using pulsed-arc power sources.



Contact tips

| | Pos. | Part no. |
|---|--------------------------|--------------------|
| M6  | ▶ 10 ECu, M6 x 25 | 340P__1073* |
| | CuCrZr, M6x25 | 340P__3073* |
| | Alu, ECu, M6x25 | 341P__1073* |

▶ = Standard equipment

* At the blank, please insert suitable information for torch length or wire diameter, e.g. 3 for 3 m or 08 for 0.8 mm.

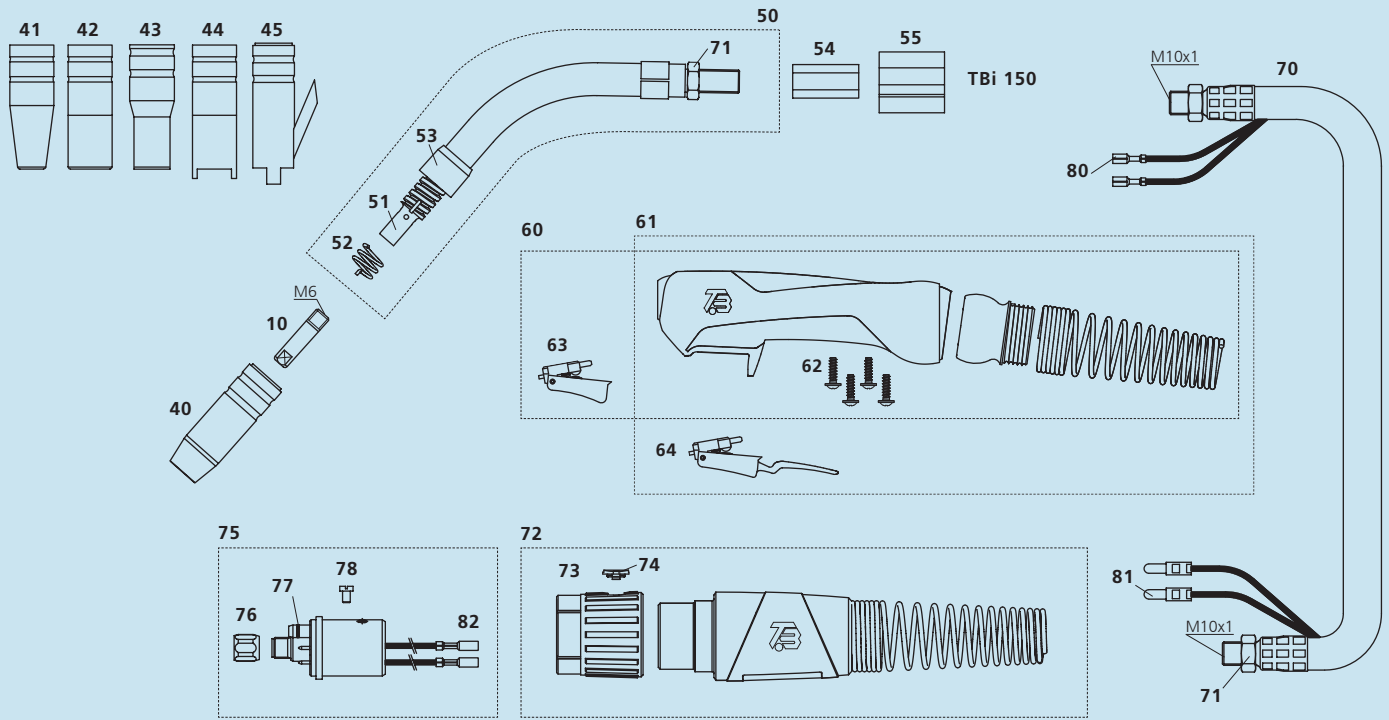
Ordering information for torches

Supplied equipped for steel wire Ø 0.8 mm
Liner, blue (Ø 0.8 - 1.0 mm).

| | | |
|---|------------|-------------------|
| ▶ TBi 150 Expert Adapter nut ‚basic‘ | 3 m | 102P321030 |
| | 4 m | 102P321040 |
| | 5 m | 102P321050 |
| TBi 150 Expert Adapter nut ‚brass‘ | 3 m | 102P721030 |
| | 4 m | 102P721040 |
| | 5 m | 102P721050 |
| TBi 150 Expert Long trigger (Adapter nut ‚basic‘) | 3 m | 102P3L1030 |
| | 4 m | 102P3L1040 |
| | 5 m | 102P3L1050 |
| TBi 150 Expert Long trigger (Adapter nut ‚brass‘) | 3 m | 102P7L1030 |
| | 4 m | 102P7L1040 |
| | 5 m | 102P7L1050 |

Spare parts

| Pos. | Description | Part no. |
|------|--|------------|
| 50 | Torch neck TBi 150, 50° | 102P001002 |
| 51 | Nozzle holder TBi 150 without spring | 102P002037 |
| 52 | Nozzle spring TBi 140/145/150 | 102P002011 |
| 53 | Head insulator TBi 140/145/150 | 102P002003 |
| 54 | Hex brass body M10x1 (SW12) | 600P002126 |
| 55 | PVC body | 600P002017 |
| 60 | Handle Expert cpl., gas cooled | 380P230001 |
| 61 | Handle Expert cpl., gas cooled, long trigger | 380P230002 |
| 62 | Screw for Expert handle | 100P541101 |
| 63 | Trigger, red, 2 poles | 385P021016 |
| 64 | Trigger, red, 2 poles, long | 385P021018 |



Gas nozzle

| Pos. | Description | Part no. |
|------|--|------------|
| 40 | conical, NW 12 mm L= 54 mm | 345P012002 |
| 40 | conical, NW 12 mm long insulation L= 53 mm | 345P012402 |
| 41 | conical, NW 9.5 mm L= 53 mm | 345P013002 |
| 42 | cylindrical, NW 16 mm long insulation L= 53 mm | 345P011402 |

| Pos. | Description | Part no. |
|------|---|------------|
| 43 | bottle form, NW 12.5 mm L= 53 mm | 345P014002 |
| 44 | spot welding nozzle, NW 16 mm, long insulation L= 60 mm | 345P015402 |
| 45 | nozzle for nails, NW 16 mm L= 60 mm | 345P015502 |

| Pos. | Description | Part no. |
|------|--|-------------|
| 70 | Coaxial cable TBi ProFlex S | 361POS11_0* |
| 71 | Hex nut M10x1 | 101P002005 |
| 72 | Cable support Expert cpl., gas cooled, 'Basic' | 700P001061 |
| 73 | Adaptor nut Expert (basic version) | 700P002161 |
| — | Adaptor nut Expert (brass) | 700P001010 |
| 74 | Cap for adaptor nut Expert | 700P002059 |
| 75 | Central adaptor ESG cpl., 2 poles, moveable pins | 701P001048 |
| 76 | Sleeve nut M10x1 | 701P002005 |
| 77 | O-ring 4.0x1.0 mm (gas nipple) | 365P100040 |
| 78 | Screw M4x6 | 100P008401 |

| Pos. | Description | Part no. |
|------|------------------------------------|------------|
| 80 | Cable lug, flat | 375P000023 |
| 81 | Insulated connector, male, round | 375P000004 |
| 82 | Insulated connector, female, round | 375P000003 |

Technical Data

Rating at 60% duty cycle
(10 min. cycle)

- Mixed gas: 210 A
- CO₂: 220 A

Cooling method Gas cooling

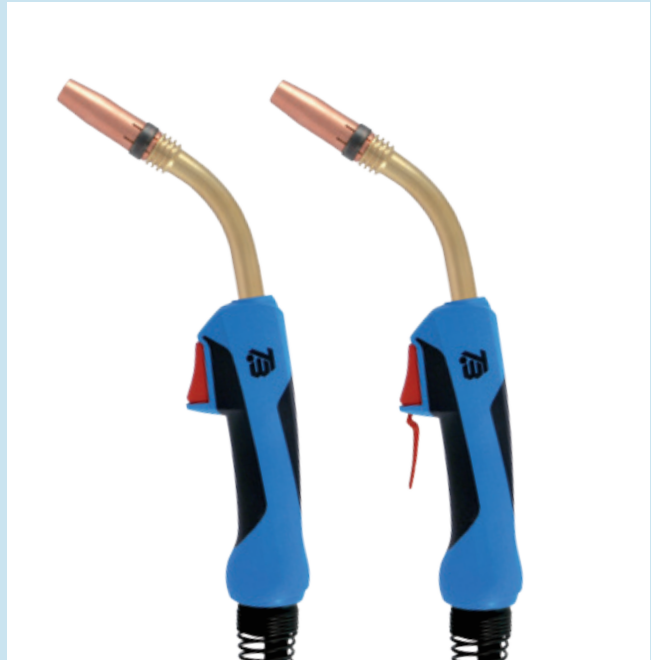
Wire diameter 0.8 - 1.2 mm

Gas flow 12 l/min



Technical specification according to IEC 60974-7

Connection Euro-Central connector
Other connectors are available upon request.

Torch rating will be reduced when using pulsed-arc power sources.



Contact tips


| | Pos. | | Part no. |
|---|------|---------------------|--------------------|
|  | ▶ 10 | ECu, M6 x 25 | 340P__1073* |
| | | CuCrZr, M6x25 | 340P__3073* |
| | | Alu, ECu, M6x25 | 341P__1073* |
|  | 11 | ECu, M6x28 | 340P__1069* |
| | | CuCrZr, M6x28 | 340P__3069* |
| | | Alu, ECu, M6x28 | 341P__1069* |

M6

▶ = Standard equipment

* At the blank, please insert suitable information for torch length or wire diameter, e.g. 3 for 3 m or 08 for 0.8 mm.

Tip holder

| | Pos. | | Part no. |
|---|------|---------------------------|-------------------|
|  | ▶ 20 | for contact tip M6 | 342P006012 |

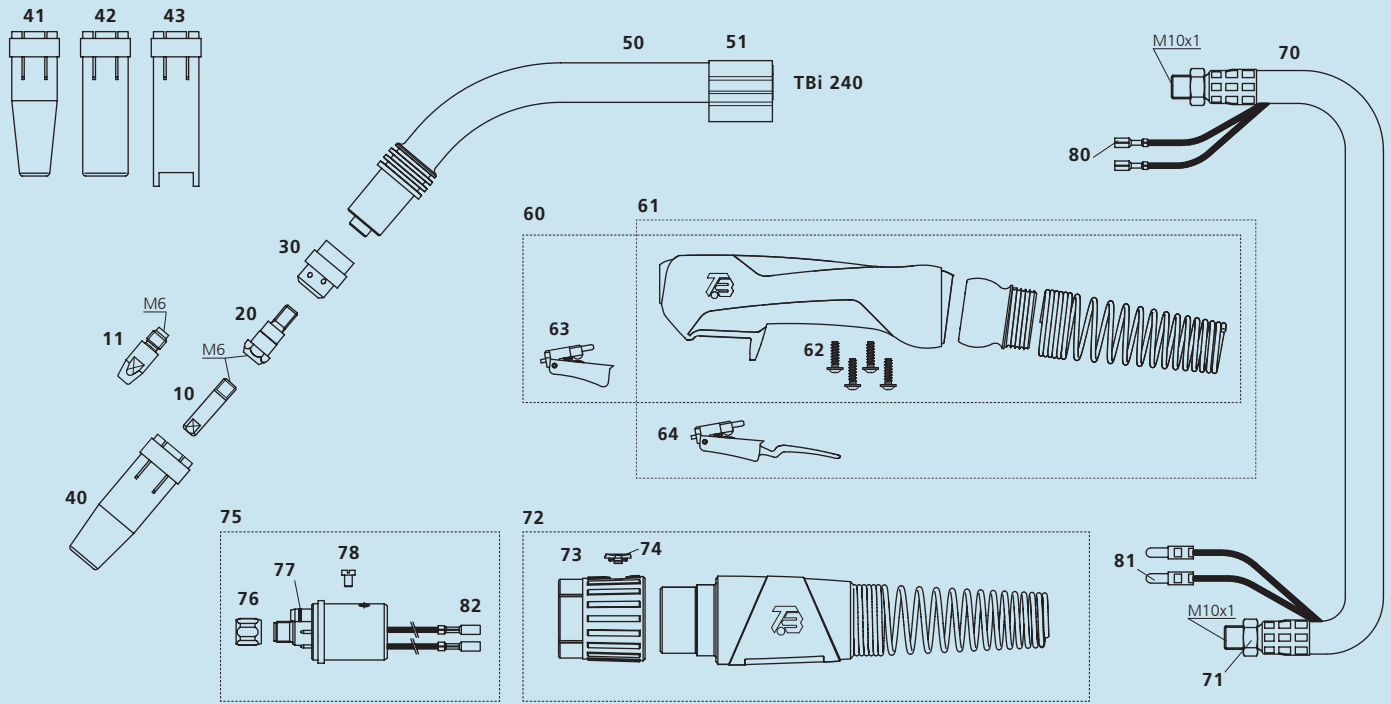
Ordering information for torches

Supplied equipped for steel wire Ø 1.0 mm.
Liner, red (Ø 1.0 -1.2 mm).

| | | |
|--|------------|-------------------|
| ▶ TBi 240 Expert Adapter nut ,brass' | 3 m | 112P321030 |
| | 4 m | 112P321040 |
| | 5 m | 112P321050 |
| TBi 240 Expert Long trigger (Adapter nut ,brass') | 3 m | 112P3L1030 |
| | 4 m | 112P3L1040 |
| | 5 m | 112P3L1050 |

Spare parts

| Pos. | Description | Part no. |
|------|--|------------|
| 50 | Torch neck TBi 240, 50° | 112P001013 |
| 51 | PVC body | 600P002018 |
| 60 | Handle Expert cpl., gas cooled | 380P230001 |
| 61 | Handle Expert cpl., gas cooled, long trigger | 380P230002 |
| 62 | Screw for Expert handle | 100P541101 |
| 63 | Trigger, red, 2 poles | 385P021016 |
| 64 | Trigger, red, 2 poles, long | 385P021018 |

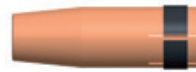


Gas diffuser



| Pos. | Description | Art. Nummer |
|------|--|-------------------|
| 30 | rubber, red long life | 112P002019 |
| | thermoset, black, very robust | 112P002024 |
| | ceramic, white, extremely heat resistant | 112P002021 |

Gas nozzle



| Pos. | Description | Part no. |
|------|---|-------------------|
| 40 | conical, NW 12.5 mm L= 63.5 mm | 345P012012 |
| 40 | conical, NW 12.5 mm, Heavy Duty L= 63.5 mm | 345P012312 |
| 41 | conical, NW 10 mm L= 63.5 mm | 345P013012 |
| 42 | cylindrical, NW 17 mm L= 63.5 mm | 345P011012 |
| 42 | cylindrical, NW 17 mm Heavy Duty L= 63.5 mm | 345P011312 |
| 43 | spot welding nozzle, NW 17 mm L= 68 mm | 345P015012 |

| Pos. | Description | Part no. |
|------|--|-------------|
| 70 | Coaxial cable TBi ProFlex M | 361P0M11_0* |
| 71 | Hex nut M10x1 | 101P002005 |
| 72 | Cable support Expert cpl., gas cooled | 700P001064 |
| 73 | Adaptor nut Expert (brass) | 700P001010 |
| 74 | Cap for adaptor nut Expert | 700P002059 |
| 75 | Central adaptor ESG cpl., 2 poles, moveable pins | 701P001048 |
| 76 | Sleeve nut M10x1 | 701P002005 |
| 77 | O-ring 4.0x1.0 mm (gas nipple) | 365P100040 |
| 78 | Screw M4x6 | 100P008401 |

| Pos. | Description | Part no. |
|------|------------------------------------|------------|
| 80 | Cable lug, flat | 375P000023 |
| 81 | Insulated connector, male, round | 375P000004 |
| 82 | Insulated connector, female, round | 375P000003 |

Technical Data

Rating at 60% duty cycle
(10 min. cycle)

- Mixed gas: 200 A
- CO₂: 230 A

Cooling method Gas cooling

Wire diameter 0.8 - 1.2 mm

Gas flow 12 l/min

Technical specification according to IEC 60974-7

Connection Euro-Central connector
Other connectors are available upon request.

Torch rating will be reduced when using pulsed-arc power sources.



Contact tips

| | Pos. | Part no. |
|-----------|--------------------------|--------------------|
| M6 | ▶ 10 ECu, M6 x 28 | 340P__1069* |
| | CuCrZr, M6x28 | 340P__3069* |
| | Alu, ECu, M6x28 | 341P__1069* |
| M8 | 11 ECu, M8x30 | 340P__1262* |
| | CuCrZr, M8x30 | 340P__3262* |
| | Alu, ECu, M8x30 | 341P__1262* |

▶ = Standard equipment

* At the blank, please insert suitable information for torch length or wire diameter, e.g. 3 for 3 m or 08 for 0.8 mm.

Tip holders

| | Pos. | Part no. |
|-------------------------|------|-------------------|
| ▶ 20 for contact tip M6 | | 342P006003 |
| ▶ 21 for contact tip M8 | | 342P008003 |

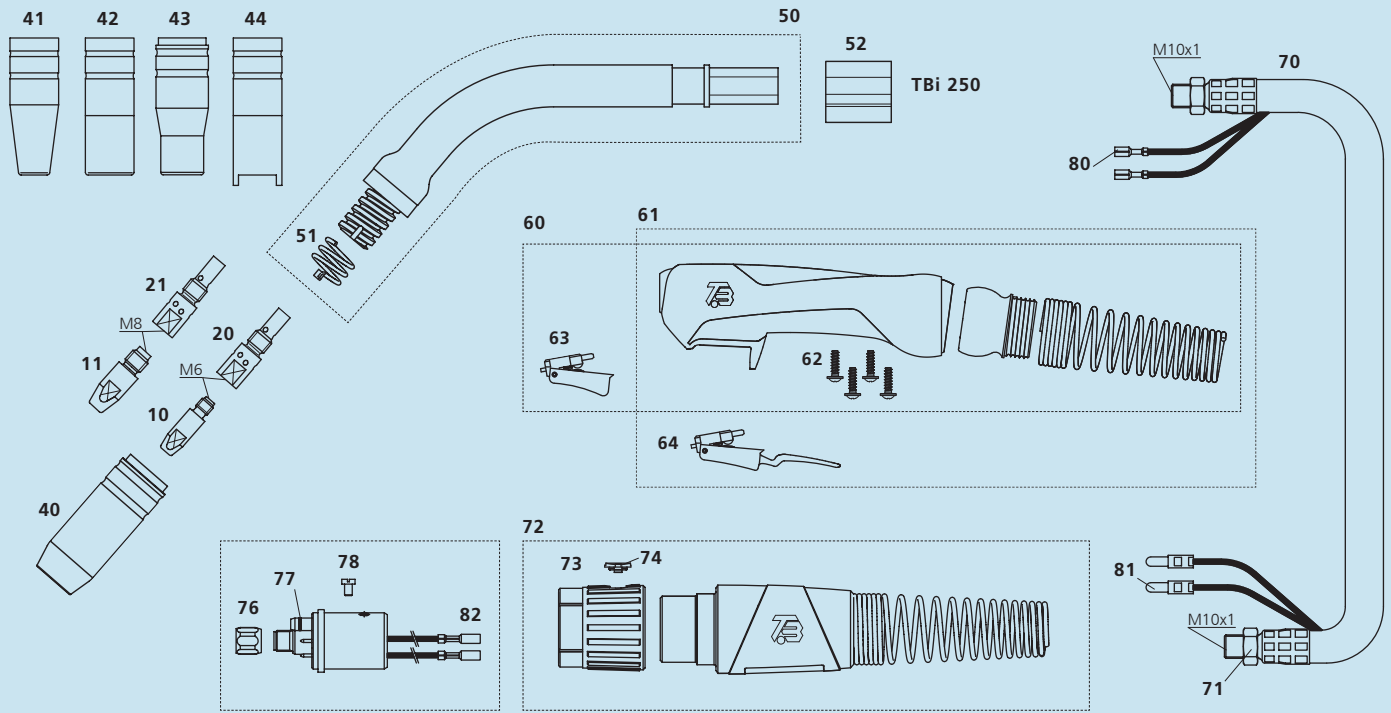
Ordering information for torches

Supplied equipped for steel wire Ø 1.0 mm.
Liner, red (Ø 1.0 - 1.2 mm).

| | | |
|--|------------|-------------------|
| TBi 250 Expert Adapter nut ,basic' | 3 m | 104P321030 |
| | 4 m | 104P321040 |
| | 5 m | 104P321050 |
| TBi 250 Expert Adapter nut ,brass' | 3 m | 104P721030 |
| | 4 m | 104P721040 |
| | 5 m | 104P721050 |
| TBi 250 Expert Long trigger (Adapter nut ,basic') | 3 m | 104P3L1030 |
| | 4 m | 104P3L1040 |
| | 5 m | 104P3L1050 |
| TBi 250 Expert Long trigger (Adapter nut ,brass') | 3 m | 104P7L1030 |
| | 4 m | 104P7L1040 |
| | 5 m | 104P7L1050 |

Spare parts

| Pos. | Description | Part no. |
|------|--|------------|
| 50 | Torch neck TBi 250, 50° | 104P001008 |
| 51 | Nozzle spring TBi 250/351 | 103P002006 |
| 52 | PVC body | 600P002017 |
| 60 | Handle Expert cpl., gas cooled | 380P230001 |
| 61 | Handle Expert cpl., gas cooled, long trigger | 380P230002 |
| 62 | Screw for Expert handle | 100P541101 |
| 63 | Trigger, red, 2 poles | 385P021016 |
| 64 | Trigger, red, 2 poles, long | 385P021018 |



Gas nozzle

| Pos. | Description | Part no. |
|------|--|------------|
| 40 | conical, NW 15 mm L= 56.8 mm | 345P012003 |
| 40 | conical, NW 15 mm long insulation L= 56.8 mm | 345P012303 |
| 41 | conical, NW 11 mm only for M6 L= 56.2 mm | 345P013003 |
| 42 | cylindrical, NW 20 mm long insulation L= 56.2 mm | 345P011303 |

| Pos. | Description | Part no. |
|------|---|------------|
| 43 | bottle form, NW 14 mm L= 56.2 mm | 345P014003 |
| 43 | bottle form, NW 11 mm only for M6 L= 56.2 mm | 345P014303 |
| 44 | spot welding nozzle NW 19mm, long insulation L= 66.7 mm | 345P015503 |

| Pos. | Description | Part no. |
|------|--|-------------|
| 70 | Coaxial cable TBi ProFlex M | 361P0M11_0* |
| 71 | Hex nut M10x1 | 101P002005 |
| 72 | Cable support Expert cpl., gas cooled, 'Basic' | 700P001061 |
| 73 | Adaptor nut Expert (basic version) | 700P002161 |
| — | Adaptor nut Expert (brass) | 700P001010 |
| 74 | Cap for adaptor nut Expert | 700P002059 |
| 75 | Central adaptor ESG cpl., 2 poles, moveable pins | 701P001048 |
| 76 | Sleeve nut M10x1 | 701P002005 |
| 77 | O-ring 4.0x1.0 mm (gas nipple) | 365P100040 |
| 78 | Screw M4x6 | 100P008401 |

| Pos. | Description | Part no. |
|------|------------------------------------|------------|
| 80 | Cable lug, flat | 375P000023 |
| 81 | Insulated connector, male, round | 375P000004 |
| 82 | Insulated connector, female, round | 375P000003 |

Technical Data

Rating at 60% duty cycle
(10 min. cycle)

- Mixed gas: 230 A
- CO₂: 250 A

Cooling method Gas cooling

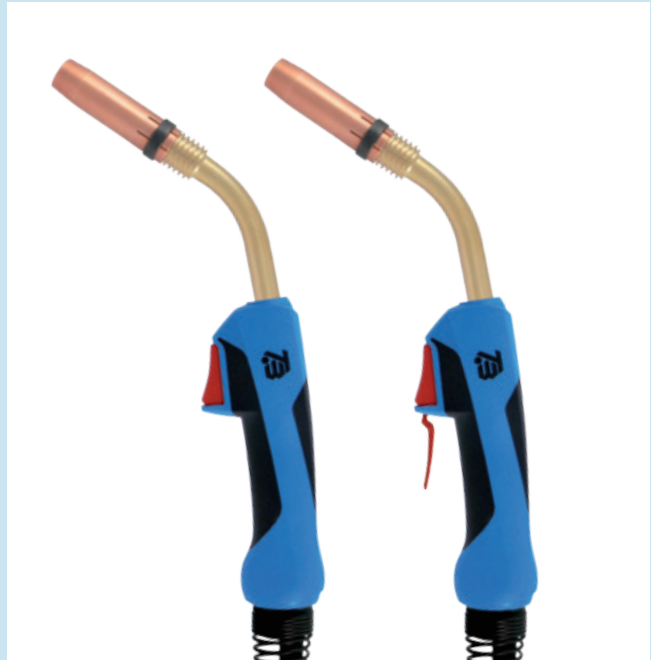
Wire diameter 1.0 - 1.2 mm

Gas flow 12 l/min

Technical specification according to IEC 60974-7

Connection Euro-Central connector
Other connectors are available upon request.

Torch rating will be reduced when using pulsed-arc power sources.



Contact tips

M6

| Pos. | Part no. |
|--------------------------|--------------------|
| ▶ 10 ECu, M6 x 28 | 340P__1069* |
| CuCrZr, M6x28 | 340P__3069* |
| Alu, ECu, M6x28 | 341P__1069* |

M8

| Pos. | Part no. |
|-----------------|-------------|
| 11 ECu, M8x30 | 340P__1262* |
| CuCrZr, M8x30 | 340P__3262* |
| Alu, ECu, M8x30 | 341P__1262* |

▶ = Standard equipment

* At the blank, please insert suitable information for torch length or wire diameter, e.g. 3 for 3 m or 08 for 0.8 mm.

Tip holders

| Pos. | Part no. |
|--|-------------------|
| ▶ 20 for contact tip M6 | 342P006018 |
| for contact tip M6, 3 mm longer version | 342P006118 |

| Pos. | Part no. |
|-----------------------|------------|
| 21 for contact tip M8 | 342P008018 |

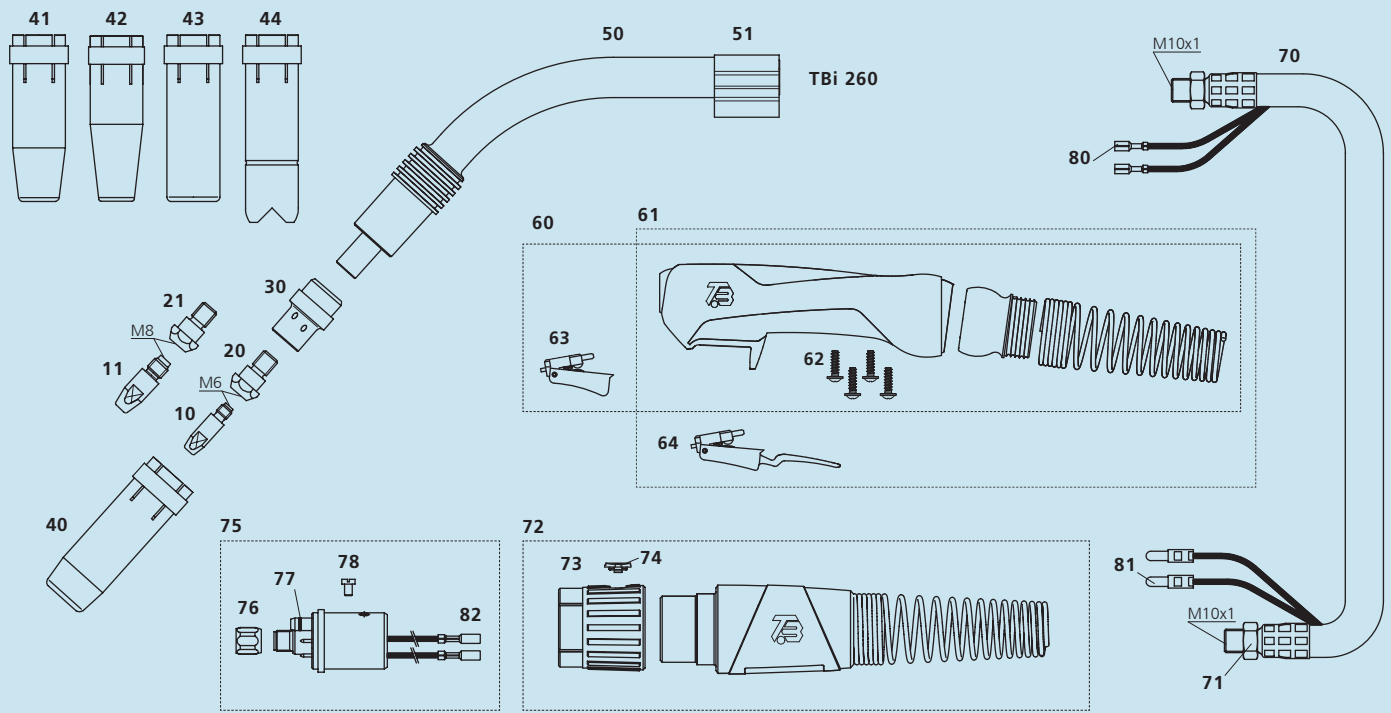
Ordering information for torches

Supplied equipped for steel wire Ø 1.0 mm.
Liner, red (Ø 1.0 - 1.2 mm).

| | |
|--|-----------------------|
| ▶ TBi 260 Expert Adapter nut ,brass' | 3 m 118P321030 |
| | 4 m 118P321040 |
| | 5 m 118P321050 |
| TBi 260 Expert Long trigger (Adapter nut ,brass') | 3 m 118P3L1030 |
| | 4 m 118P3L1040 |
| | 5 m 118P3L1050 |

Spare parts

| Pos. | Description | Part no. |
|------|--|------------|
| 50 | Torch neck TBi 260, 50° | 118P001020 |
| 51 | PVC body | 600P002018 |
| 60 | Handle Expert cpl., gas cooled | 380P230001 |
| 61 | Handle Expert cpl., gas cooled, long trigger | 380P230002 |
| 62 | Screw for Expert handle | 100P541101 |
| 63 | Trigger, red, 2 poles | 385P021016 |
| 64 | Trigger, red, 2 poles, long | 385P021018 |

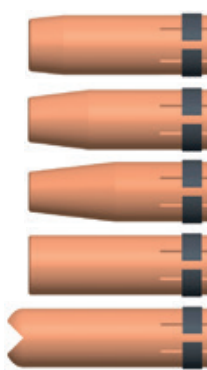


Gas diffuser



| Pos. | Description | Part no. |
|------|-------------------------------|------------|
| 30 | thermoset, black, very robust | 118P002021 |

Gas nozzle



| Pos. | Description | Part no. |
|------|--|------------|
| 40 | conical, NW 16 mm L= 75.5 mm | 345P012030 |
| 41 | conical, NW 14 mm L= 75.5 mm | 345P013030 |
| 42 | conical, NW 12 mm only for M6 L= 75.5 mm | 345P016030 |
| 43 | cylindrical, NW 20 mm L= 75.5 mm | 345P011030 |
| 44 | spot welding nozzle NW 20 mm L= 85 mm | 345P015030 |

| Pos. | Description | Part no. |
|------|--|-------------|
| 70 | Coaxial cable TBi ProFlex ML | 361PML11_0* |
| 71 | Hex nut M10x1 | 101P002005 |
| 72 | Cable support Expert cpl., gas cooled | 700P001064 |
| 73 | Adaptor nut Expert (brass) | 700P001010 |
| 74 | Cap for adaptor nut Expert | 700P002059 |
| 75 | Central adaptor ESG cpl., 2 poles, moveable pins | 701P001048 |
| 76 | Sleeve nut M10x1 | 701P002005 |
| 77 | O-ring 4.0x1.0 mm (gas nipple) | 365P100040 |
| 78 | Screw M4x6 | 100P008401 |

| Pos. | Description | Part no. |
|------|------------------------------------|------------|
| 80 | Cable lug, flat | 375P000023 |
| 81 | Insulated connector, male, round | 375P000004 |
| 82 | Insulated connector, female, round | 375P000003 |

Technical Data

Rating at 60% duty cycle
(10 min. cycle)

- Mixed gas: 300 A
- CO₂: 330 A

Cooling method Gas cooling

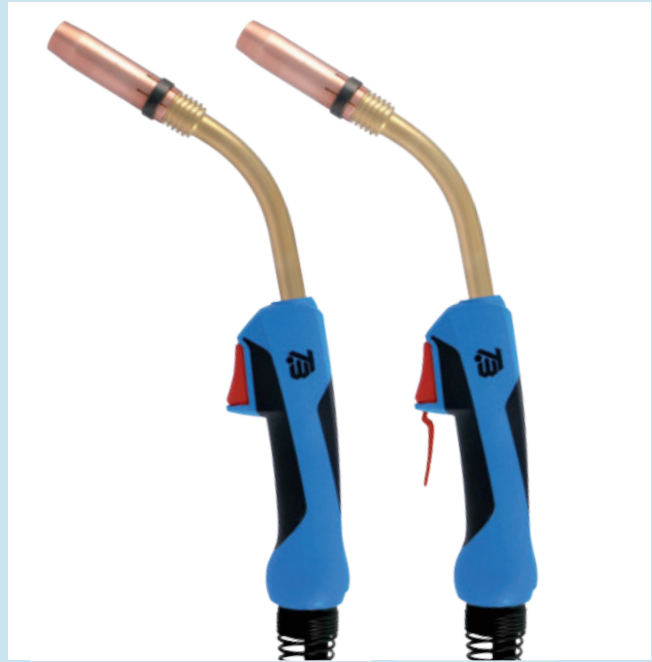
Wire diameter 1.0 - 1.6 mm

Gas flow 16 l/min

Technical specification according to IEC 60974-7

Connection Euro-Central connector
Other connectors are available upon request.

Torch rating will be reduced when using pulsed-arc power sources.



Contact tips

| | Pos. | | Part no. |
|-----------|------|---------------------|--------------------|
| M6 | ▶ 10 | ECu, M6 x 28 | 340P__1069* |
| | | CuCrZr, M6x28 | 340P__3069* |
| | | Alu, ECu, M6x28 | 341P__1069* |

| | Pos. | | Part no. |
|-----------|------|-----------------|-------------|
| M8 | 11 | ECu, M8x30 | 340P__1262* |
| | | CuCrZr, M8x30 | 340P__3262* |
| | | Alu, ECu, M8x30 | 341P__1262* |

▶ = Standard equipment

* At the blank, please insert suitable information for torch length or wire diameter, e.g. 3 for 3 m or 08 for 0.8 mm.

Tip holders

| | Pos. | | Part no. |
|-----------|------|--|-------------------|
| 20 | ▶ | for contact tip M6 | 342P006014 |
| | | for contact tip M6, 4 mm longer version | 342P006114 |

| | Pos. | | Part no. |
|-----------|------|--|-------------------|
| 21 | ▶ | for contact tip M8 | 342P008014 |
| | | for contact tip M8, 6 mm longer version | 342P008114 |

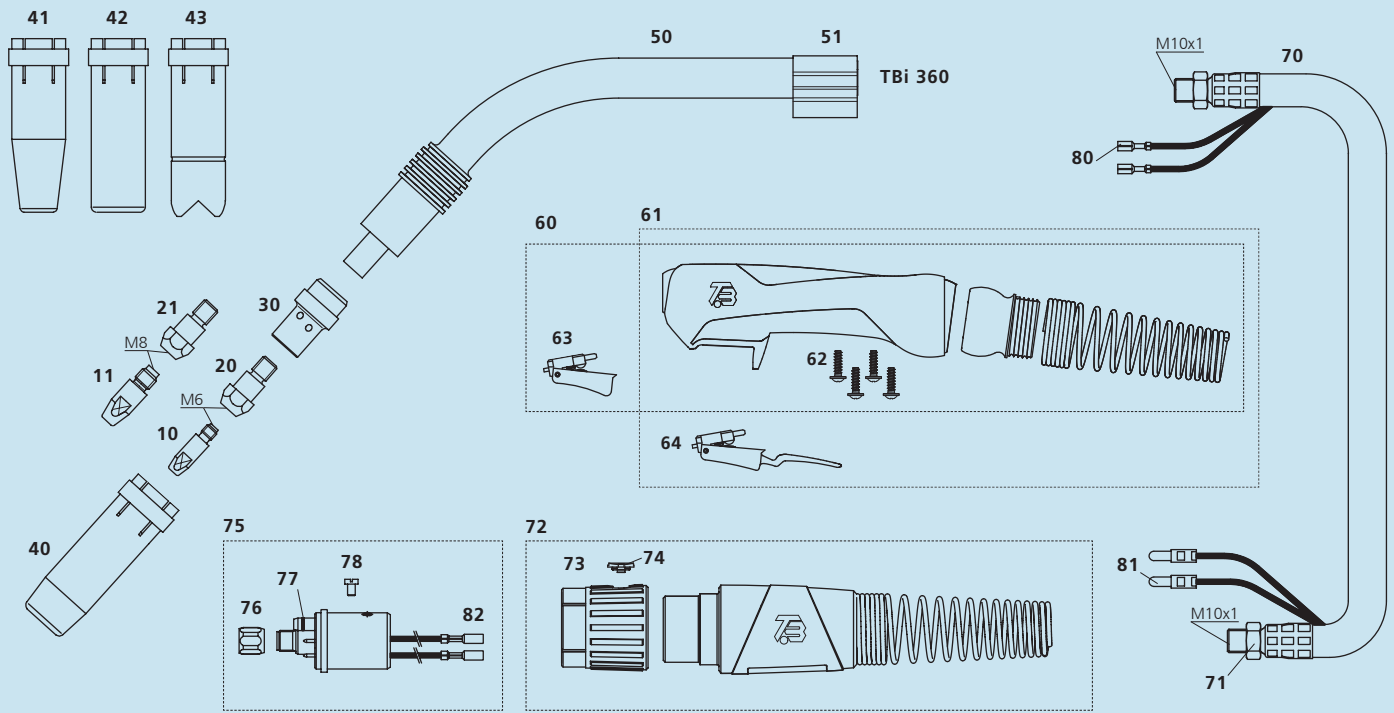
Ordering information for torches

Supplied equipped for steel wire Ø 1.2 mm.
Liner, red (Ø 1.0 - 1.2 mm).

| | | |
|--|------------|-------------------|
| ▶ TBi 360 Expert Adapter nut ,brass' | 3 m | 114P321030 |
| | 4 m | 114P321040 |
| | 5 m | 114P321050 |
| TBi 360 Expert Long trigger (Adapter nut ,brass') | 3 m | 114P3L1030 |
| | 4 m | 114P3L1040 |
| | 5 m | 114P3L1050 |

Spare parts

| Pos. | Description | Part no. |
|------|--|------------|
| 50 | Torch neck TBi 360, 50° | 114P001001 |
| 51 | PVC body | 600P002018 |
| 60 | Handle Expert cpl., gas cooled | 380P230001 |
| 61 | Handle Expert cpl., gas cooled, long trigger | 380P230002 |
| 62 | Screw for Expert handle | 100P541101 |
| 63 | Trigger, red, 2 poles | 385P021016 |
| 64 | Trigger, red, 2 poles, long | 385P021018 |



Gas diffuser



| Pos. | Description | Part no. |
|------|--|------------|
| 30 | thermoset, black, very robust ceramic, white, extremely heat resistant | 114P002007 |
| | | 114P002005 |

Gas nozzle



| Pos. | Description | Part no. |
|------|--|------------|
| 40 | conical, NW 16 mm L= 83.5 mm | 345P012010 |
| 41 | conical, NW 12 mm only for M6 L= 83.5 mm | 345P013010 |
| 42 | cylindrical, NW 20 mm L= 83.5 mm | 345P011010 |
| 43 | spot welding nozzle NW 20 mm L= 90 mm | 345P015010 |

| Pos. | Description | Part no. |
|------|--|-------------|
| 70 | Coaxial cable TBI ProFlex L | 361POL11_0* |
| 71 | Hex nut M10x1 | 101P002005 |
| 72 | Cable support Expert cpl., gas cooled | 700P001064 |
| 73 | Adaptor nut Expert (brass) | 700P001010 |
| 74 | Cap for adaptor nut Expert | 700P002059 |
| 75 | Central adaptor ESG cpl., 2 poles, moveable pins | 701P001048 |
| 76 | Sleeve nut M10x1 | 701P002005 |
| 77 | O-ring 4.0x1.0 mm (gas nipple) | 365P100040 |
| 78 | Screw M4x6 | 100P008401 |

| Pos. | Description | Part no. |
|------|------------------------------------|------------|
| 80 | Cable lug, flat | 375P000023 |
| 81 | Insulated connector, male, round | 375P000004 |
| 82 | Insulated connector, female, round | 375P000003 |

Technical Data

Rating at 60% duty cycle
(10 min. cycle)

- Mixed gas: 310 A
- CO₂: 340 A

Cooling method Gas cooling

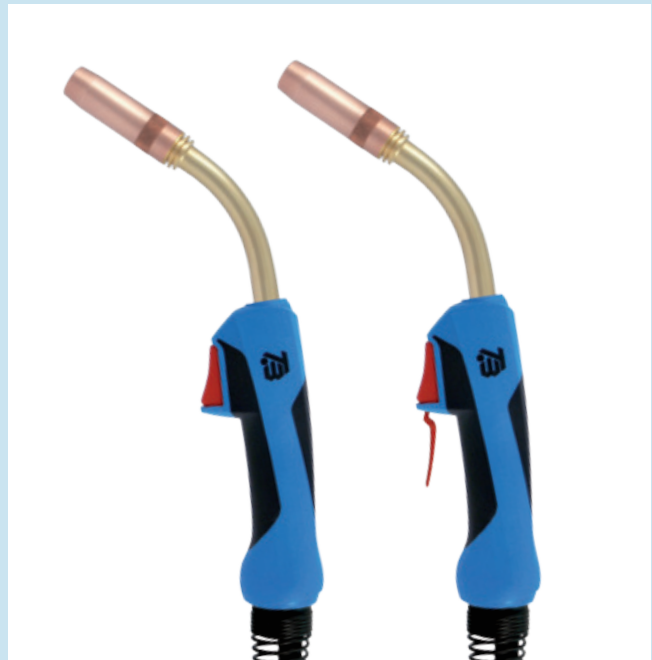
Wire diameter 1.0 - 1.6 mm

Gas flow 16 l/min

Technical specification according to IEC 60974-7

Connection Euro-Central connector
Other connectors are available upon request.

Torch rating will be reduced when using pulsed-arc power sources.



Contact tips

| | Pos. | Part no. |
|-----------|--------------------------|--------------------|
| M8 | ▶ 10 ECu, M8 x 30 | 340P__1262* |
| | CuCrZr, M8x30 | 340P__3262* |
| | Alu, ECu, M8x30 | 341P__1262* |
| M6 | 11 ECu, M6x28 | 340P__1069* |
| | CuCrZr, M6x28 | 340P__3069* |
| | Alu, ECu, M6x28 | 341P__1069* |

▶ = Standard equipment

* At the blank, please insert suitable information for torch length or wire diameter, e.g. 3 for 3 m or 08 for 0.8 mm.

Tip holders

| | Pos. | Part no. |
|-----------|--|-------------------|
| 20 | for contact tip M8 | 342P008033 |
| | for contact tip M8, 4 mm longer version | 342P008133 |
| 21 | for contact tip M6 | 342P006033 |
| | for contact tip M6, 4 mm longer version | 342P006133 |

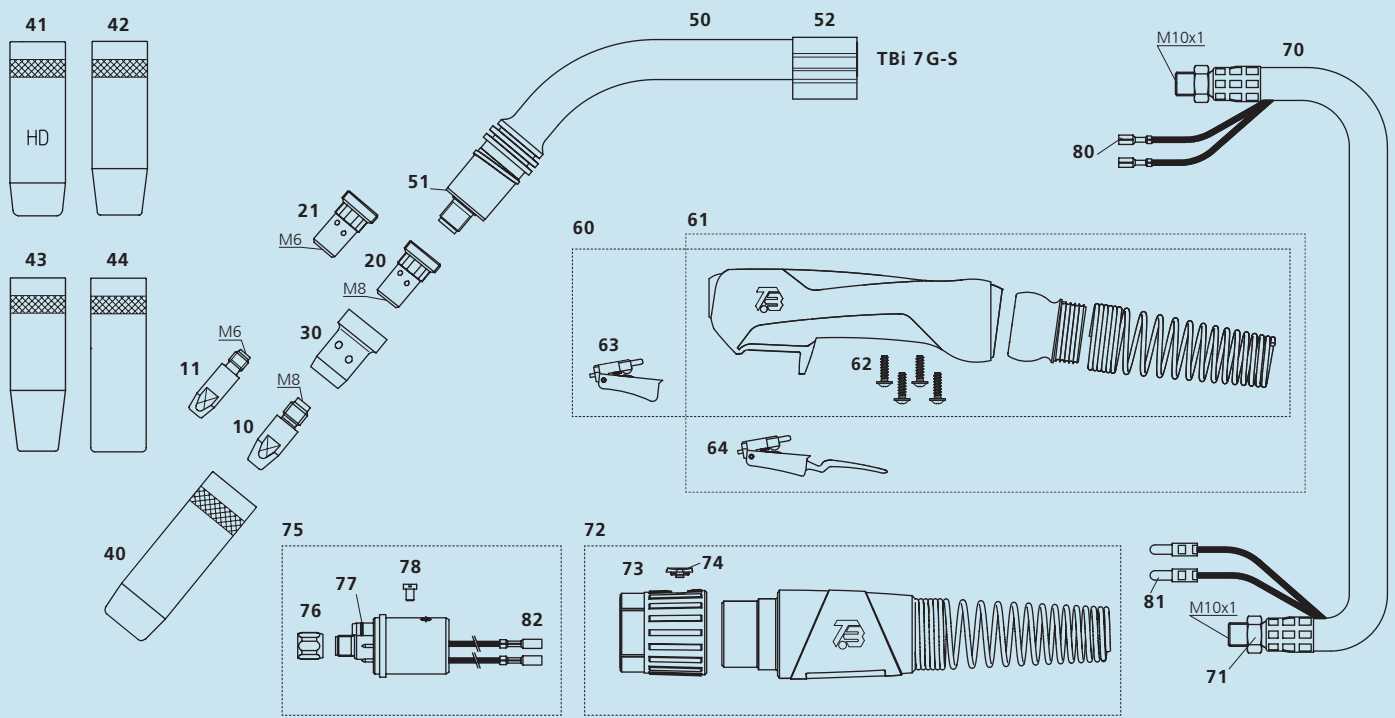
Ordering information for torches

Supplied equipped for steel wire Ø 1.0 mm.
Liner, red (Ø 1.0 -1.2 mm).

| | | | |
|------------------------|---|------------|-------------------|
| ▶ TBi 7G Expert | Adapter nut ,brass' | 3 m | 166P322030 |
| | | 4 m | 166P322040 |
| | | 5 m | 166P322050 |
| TBi 7G Expert | Long trigger (Adapter nut ,brass') | 3 m | 166P3L2030 |
| | | 4 m | 166P3L2040 |
| | | 5 m | 166P3L2050 |

Spare parts

| Pos. | Description | Part no. |
|------|--|------------|
| 50 | Torch neck TBi 7G-S (short), 50° | 166P101140 |
| 51 | Insulating washer | 130P002004 |
| 52 | PVC body | 600P002018 |
| 60 | Handle Expert cpl., gas cooled | 380P230001 |
| 61 | Handle Expert cpl., gas cooled, long trigger | 380P230002 |
| 62 | Screw for Expert handle | 100P541101 |
| 63 | Trigger, red, 2 poles | 385P021016 |
| 64 | Trigger, red, 2 poles, long | 385P021018 |

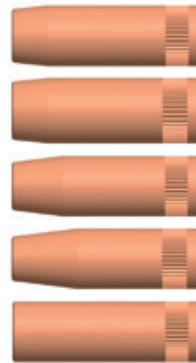


Gas diffuser



| Pos. | Description | Part no. |
|------|---|--------------------------|
| 30 | thermoset, black, very robust ceramic, white, extremely heat resistant | 130P002026 130P002019 |

Gas nozzle



| Pos. | Description | Part no. |
|------|--|------------|
| 40 | conical, NW 16 mm L= 75.5 mm | 345P022171 |
| 41 | conical, NW 16 mm Heavy Duty L= 75.5 mm | 345P022271 |
| 42 | conical, NW 14 mm L= 75.5 mm | 345P023171 |
| 43 | conical, NW 12 mm only for M6 L= 75.5 mm | 345P026171 |
| 44 | cylindrical, NW 19 mm L= 75.5 mm | 345P021171 |

| Pos. | Description | Part no. |
|------|--|-------------|
| 70 | Coaxial cable TBi ProFlex L | 361POL11_0* |
| 71 | Hex nut M10x1 | 101P002005 |
| 72 | Cable support Expert cpl., gas cooled | 700P001064 |
| 73 | Adaptor nut Expert (brass) | 700P001010 |
| 74 | Cap for adaptor nut Expert | 700P002059 |
| 75 | Central adaptor ESG cpl., 2 poles, moveable pins | 701P001048 |
| 76 | Sleeve nut M10x1 | 701P002005 |
| 77 | O-ring 4.0x1.0 mm (gas nipple) | 365P100040 |
| 78 | Screw M4x6 | 100P008401 |

| Pos. | Description | Part no. |
|------|------------------------------------|------------|
| 80 | Cable lug, flat | 375P000023 |
| 81 | Insulated connector, male, round | 375P000004 |
| 82 | Insulated connector, female, round | 375P000003 |

Technical Data

Rating at 100% duty cycle
(10 min. cycle)

- Mixed gas: 270 A
- CO₂: 300 A

Cooling method Water cooling

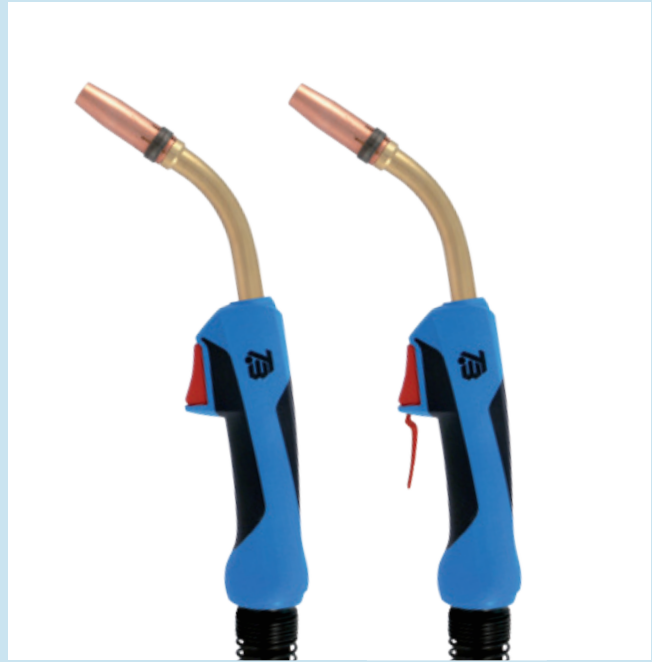
Wire diameter 0.8 - 1.2 mm

Gas flow 14 l/min



Technical specification according to IEC 60974-7

Connection Euro-Central connector
Other connectors are available upon request.

Torch rating will be reduced when using pulsed-arc power sources.



Contact tips


| | Pos. | Part no. |
|---|---------|--|
|  | ▶ 10 | ECu, M6 x 25 340P__1073* |
| | | CuCrZr, M6x25 340P__3073* |
| | | Alu, ECu, M6x25 341P__1073* |
|  | Pos. 11 | Part no. 340P__1069* |
| | | ECu, M6x28 340P__3069* |
| | | Alu, ECu, M6x28 341P__1069* |

M6

▶ = Standard equipment

* At the blank, please insert suitable information for torch length or wire diameter, e.g. 3 for 3 m or 08 for 0.8 mm.

Tip holder

| | Pos. | Part no. |
|---|------|---|
|  | ▶ 20 | for contact tip M6 342P006012 |

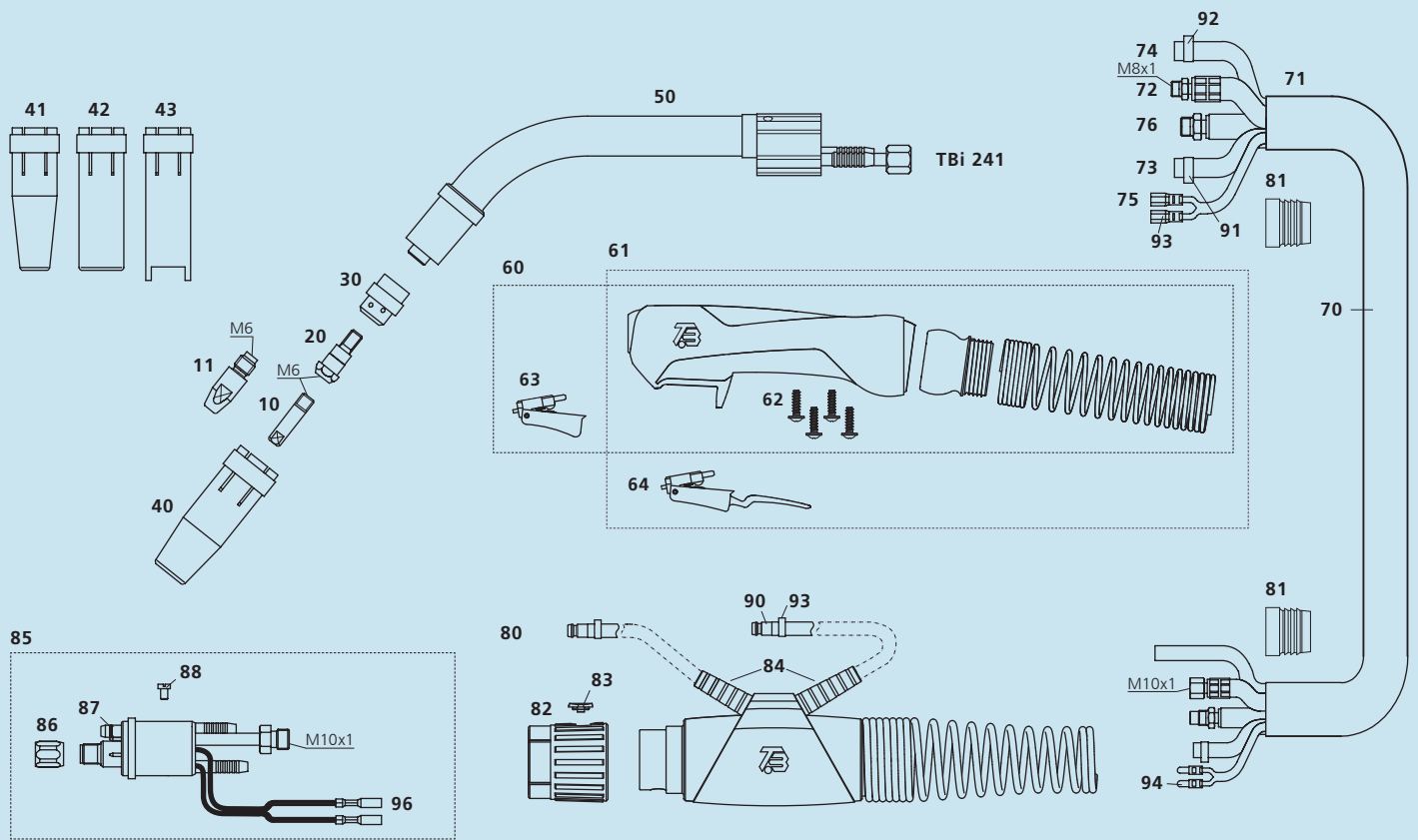
Ordering information for torches

Supplied equipped for steel wire Ø 1.0 mm.
Liner, not insulated (Ø 1.0 -1.2 mm).

| | | |
|--|------------|-------------------|
| ▶ TBi 241 Expert Adapter nut ,brass' | 3 m | 123P421030 |
| | 4 m | 123P421040 |
| | 5 m | 123P421050 |
| TBi 241 Expert Long trigger (Adapter nut ,brass') | 3 m | 123P4L1030 |
| | 4 m | 123P4L1040 |
| | 5 m | 123P4L1050 |

Spare parts

| Pos. | Description | Part no. |
|------|--|------------|
| 50 | Torch neck TBi 241, 50° | 123P001001 |
| 60 | Handle Expert cpl., water cooled | 380P230003 |
| 61 | Handle Expert cpl., water cooled, long trigger | 380P230004 |
| 62 | Screw for Expert handle | 100P541101 |
| 63 | Trigger, red, 2 poles | 385P021016 |
| 64 | Trigger, red, 2 poles, long | 385P021018 |

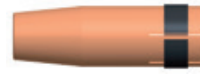


Gas diffuser



| Pos. | Description | Art. Nummer |
|------|---|---|
| 30 | rubber, red long life thermoset, black, very robust ceramic, white, extremely heat resistant | 112P002019 112P002024 112P002021 |

Gas nozzle



| Pos. | Description | Part no. |
|------|---|-------------------|
| 40 | conical, NW 12.5 mm L= 63.5 mm | 345P012012 |
| 40 | conical, NW 12.5 mm, Heavy Duty L= 63.5 mm | 345P012312 |
| 41 | conical, NW 10 mm L= 63.5 mm | 345P013012 |
| 42 | cylindrical, NW 17 mm L= 63.5 mm | 345P011012 |
| 42 | cylindrical, NW 17 mm Heavy Duty L= 63.5 mm | 345P011312 |
| 43 | spot welding nozzle, NW 17 mm L= 68 mm | 345P015012 |

| Pos. | Description | Part no. |
|------|---|-------------|
| 70 | Cable assembly Expert ,Classic', 2-C | 123P4040_0* |
| 71 | Fabric outer cover 25x1.5 mm, for Expert | 307P2528_E* |
| 72 | Water-power cable ,Classic', blue, 2-C | 316P1621_0* |
| 72 | Water-power cable ,Classic', black, HD (option) | 314P1621_0* |
| 73 | PVC hose, braided, black, 5x1.5 mm | 302P020000 |
| 74 | PVC-Gas hose, black, 4.5x1.5 mm | 302P010000 |
| 75 | Control cable x.30 m cpl. | 301P2304_0* |
| 76 | Wire conduit ,Classic', yellow | 356P0401_0* |
| 80 | Cable support Expert cpl., water cooled | 700P001066 |
| 81 | Clamping ring for outer cover | 600P102201 |
| 82 | Adaptor nut Expert (brass) | 700P001010 |
| 83 | Cap for adaptor nut Expert | 700P002059 |
| 84 | Grommet for Expert | 700P002058 |

| Pos. | Description | Part no. |
|------|--|------------|
| 85 | Central adaptor ESW cpl., 2 poles, moveable pins | 701P001049 |
| 86 | Sleeve nut M10x1 | 701P002005 |
| 87 | O-ring 4.0x1.0 mm (gas nipple) | 365P100040 |
| 88 | Screw M4x6 | 100P008401 |
| 90 | Quick connector | 701P002064 |
| 91 | Hose clamp with ring Ø 8.7 | 373P000087 |
| 92 | Hose clamp with ring Ø 9.5 | 373P100095 |
| 93 | Hose clamp with ring Ø 9.0 | 373P100090 |
| 94 | Cable lug, flat | 375P000023 |
| 95 | Insulated connector, male, round | 375P000004 |
| 96 | Insulated connector, female, round | 375P000003 |

Technical Data

Rating at 100% duty cycle
(10 min. cycle)

- Mixed gas: 270 A
- CO₂: 300 A

Cooling method Water cooling

Wire diameter 0.8 - 1.2 mm

Gas flow 14 l/min

Technical specification according to IEC 60974-7

Connection Euro-Central connector
Other connectors are available upon request.

Torch rating will be reduced when using pulsed-arc power sources.



Contact tips

| | Pos. | Part no. |
|-----------|--------------------------|--------------------|
| M6 | ▶ 10 ECu, M6 x 28 | 340P__1069* |
| | CuCrZr, M6x28 | 340P__3069* |
| | Alu, ECu, M6x28 | 341P__1069* |
| M8 | 11 ECu, M8x30 | 340P__1262* |
| | CuCrZr, M8x30 | 340P__3262* |
| | Alu, ECu, M8x30 | 341P__1262* |

Tip holders

| | Pos. | Part no. |
|-----------|--------------------------------|-------------------|
| M6 | ▶ 20 for contact tip M6 | 342P006003 |
| | | |
| M8 | 21 for contact tip M8 | 342P008003 |
| | | |

▶ = Standard equipment

* At the blank, please insert suitable information for torch length or wire diameter, e.g. 3 for 3 m or 08 for 0.8 mm.

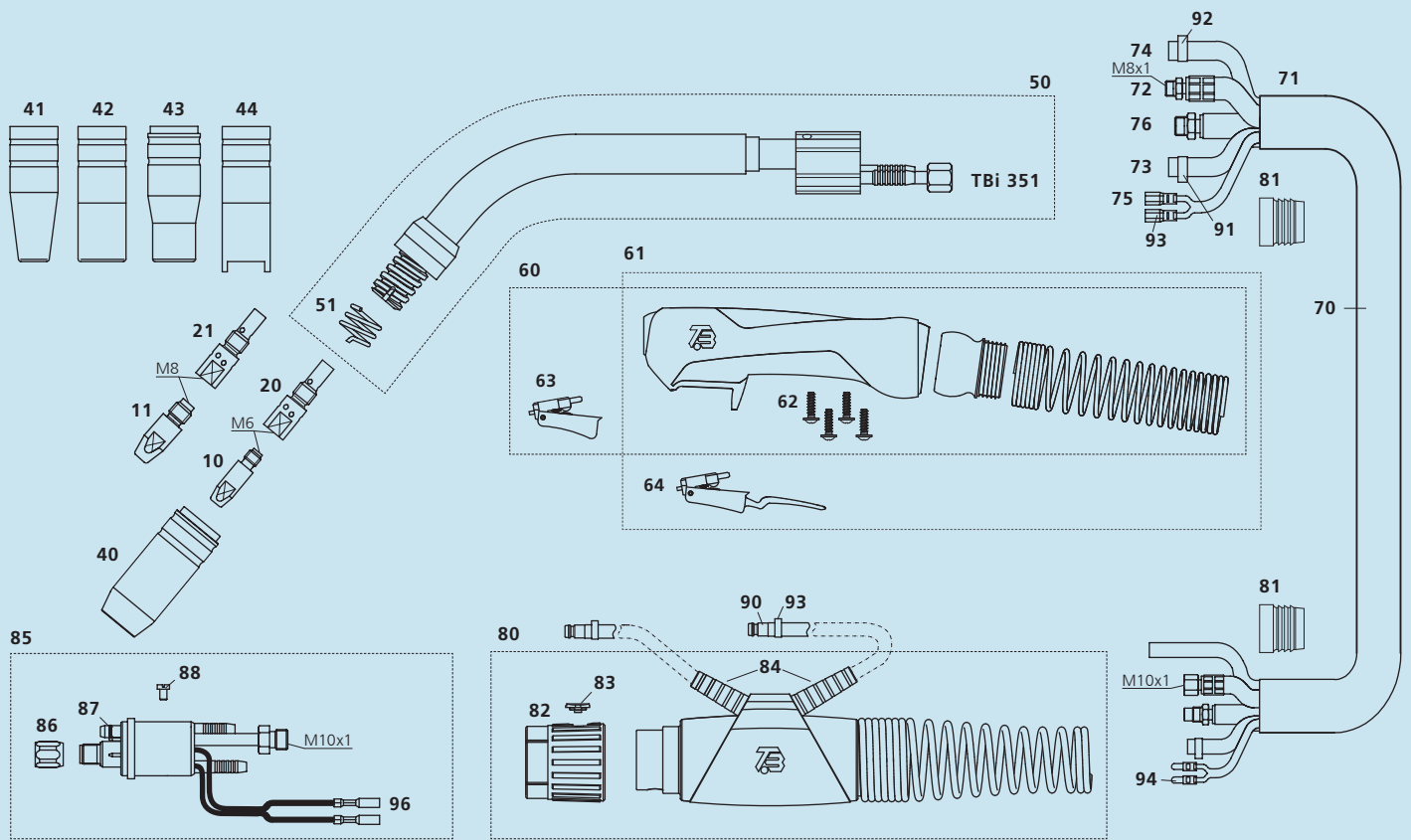
Ordering information for torches

Supplied equipped for steel wire Ø 1.0 mm.
Liner, not insulated (Ø 1.0 -1.2 mm).

| | | |
|--|------------|-------------------|
| ▶ TBi 351 Expert Adapter nut ,brass' | 3 m | 122P421030 |
| | 4 m | 122P421040 |
| | 5 m | 122P421050 |
| TBi 351 Expert Long trigger (Adapter nut ,brass') | 3 m | 122P4L1030 |
| | 4 m | 122P4L1040 |
| | 5 m | 122P4L1050 |

Spare parts

| Pos. | Description | Part no. |
|------|--|------------|
| 50 | Torch neck TBi 351, 50° | 122P001001 |
| 51 | Nozzle spring TBi 250/351 | 103P002006 |
| 60 | Handle Expert cpl., water cooled | 380P230003 |
| 61 | Handle Expert cpl., water cooled, long trigger | 380P230004 |
| 62 | Screw for Expert handle | 100P541101 |
| 63 | Trigger, red, 2 poles | 385P021016 |
| 64 | Trigger long, red, 2 poles | 385P021018 |



Gas nozzle

| Pos. | Description | Part no. | Pos. | Description | Part no. |
|------|--|------------|------|--|------------|
| 40 | conical, NW 15 mm L= 56.8 mm | 345P012003 | 43 | bottle form, NW 14 mm L= 56.2 mm | 345P014003 |
| 40 | conical, NW 15 mm long insulation L= 56.8 mm | 345P012303 | 43 | bottle form, NW 11 mm only for M6 L= 56.2 mm | 345P014303 |
| 41 | conical, NW 11 mm only for M6 L= 56.2 mm | 345P013003 | 44 | spot welding nozzle NW 19 mm, long insulation L= 66.7 mm | 345P015503 |
| 42 | cylindrical, NW 20 mm long insulation L= 56.2 mm | 345P011303 | | | |

| Pos. | Description | Part no. | Pos. | Description | Part no. |
|------|---|-------------|------|--|------------|
| 70 | Cable assembly Expert ,Classic', 2-C | 123P4040_0* | 85 | Central adaptor ESW cpl., 2 poles, moveable pins | 701P001049 |
| 71 | Fabric outer cover 25x1.5 mm, for Expert | 307P2528_E* | 86 | Sleeve nut M10x1 | 701P002005 |
| 72 | Water-power cable ,Classic', blue, 2-C | 316P1621_0* | 87 | O-ring 4.0x1.0 mm (gas nipple) | 365P100040 |
| 72 | Water-power cable ,Classic', black, HD (option) | 314P1621_0* | 88 | Screw M4x6 | 100P008401 |
| 73 | PVC hose, braided, black, 5x1.5 mm | 302P020000 | 90 | Quick connector | 701P002064 |
| 74 | PVC-Gas hose, black, 4.5x1.5 mm | 302P010000 | 91 | Hose clamp with ring Ø 8.7 | 373P000087 |
| 75 | Control cable x.30 m cpl. | 301P2304_0* | 92 | Hose clamp with ring Ø 9.5 | 373P100095 |
| 76 | Wire conduit ,Classic', yellow | 356P0401_0* | 93 | Hose clamp with ring Ø 9.0 | 373P100090 |
| 80 | Cable support Expert cpl., water cooled | 700P001066 | 94 | Cable lug, flat | 375P000023 |
| 81 | Clamping ring for outer cover | 600P102201 | 95 | Insulated connector, male, round | 375P000004 |
| 82 | Adaptor nut Expert (brass) | 700P001010 | 96 | Insulated connector, female, round | 375P000003 |
| 83 | Cap for adaptor nut Expert | 700P002059 | | | |
| 84 | Grommet for Expert | 700P002058 | | | |

Technical Data

Rating at 100% duty cycle
(10 min. cycle)

- Mixed gas: 450 A
- CO₂: 500 A

Cooling method Water cooling

Wire diameter 1.0 - 1.6 mm

Gas flow 16 l/min

Technical specification according to IEC 60974-7

Connection Euro-Central connector
Other connectors are available upon request.

Torch rating will be reduced when using pulsed-arc power sources.



Contact tips

M8

| Pos. | Part no. |
|-------------------|-------------|
| ▶ 10 ECu, M8 x 30 | 340P__1262* |
| CuCrZr, M8x30 | 340P__3262* |
| Alu, ECu, M8x30 | 341P__1262* |

M6

| Pos. | Part no. |
|-----------------|-------------|
| 11 ECu, M6x28 | 340P__1069* |
| CuCrZr, M6x28 | 340P__3069* |
| Alu, ECu, M6x28 | 341P__1069* |

▶ = Standard equipment

* At the blank, please insert suitable information for torch length or wire diameter, e.g. 3 for 3 m or 08 for 0.8 mm.

Tip holders

| Pos. | Part no. |
|-------------------------|------------|
| ▶ 20 for contact tip M8 | 342P008033 |
| for contact tip M8, | 342P008133 |
| 4 mm longer version | |

| Pos. | Part no. |
|-----------------------|------------|
| 21 for contact tip M6 | 342P006033 |
| for contact tip M6, | 342P006133 |
| 4 mm longer version | |

Ordering information for torches

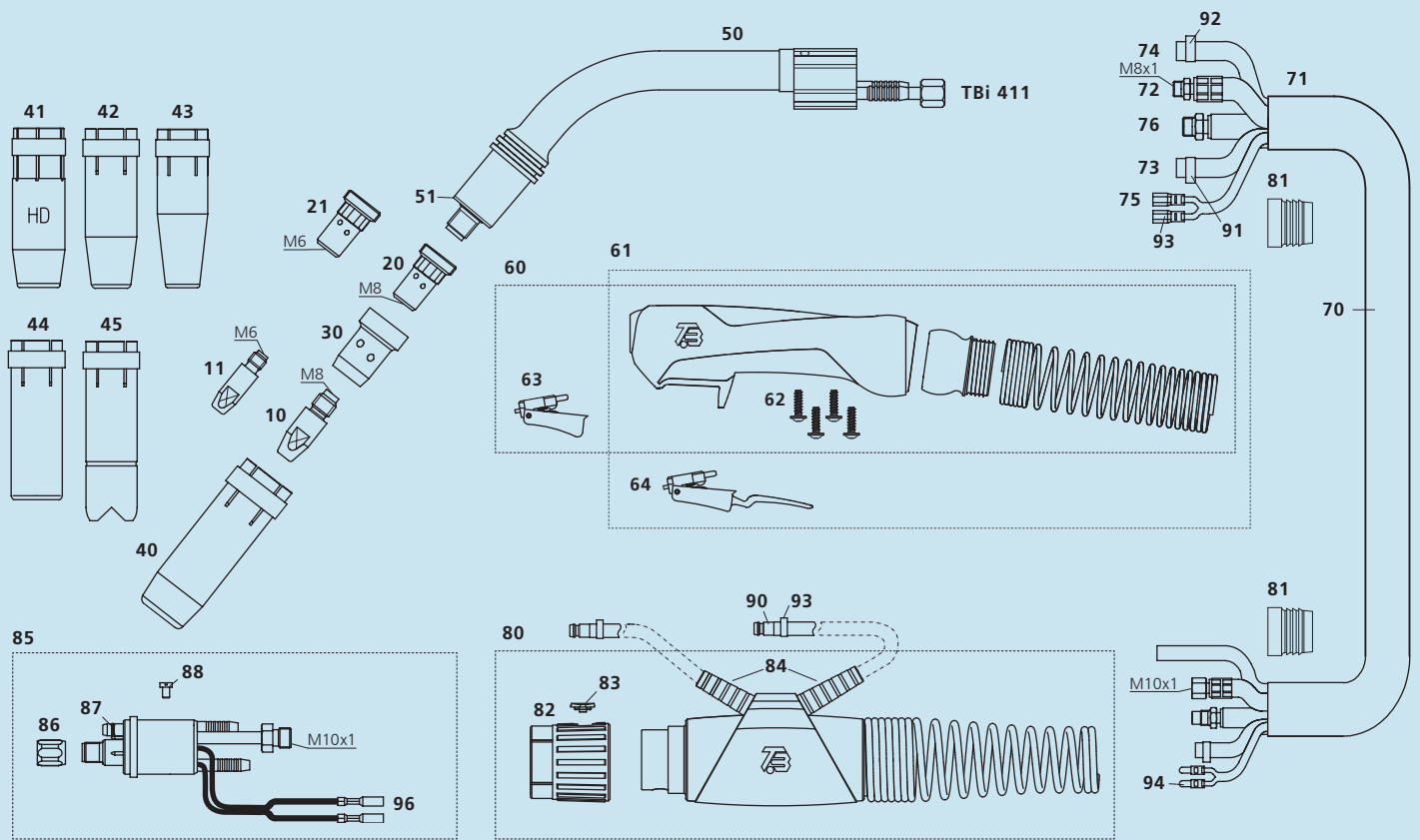
Supplied equipped for steel wire Ø 1.0 mm.
Liner, not insulated (Ø 1.0 -1.2 mm).

| | | |
|--------------------------------------|-----|------------|
| ▶ TBi 411 Expert Adapter nut ,brass' | 3 m | 133P421030 |
| | 4 m | 133P421040 |
| | 5 m | 133P421050 |

| | | |
|--|-----|------------|
| TBi 411 Expert Long trigger (Adapter nut ,brass') | 3 m | 133P4L1030 |
| | 4 m | 133P4L1040 |
| | 5 m | 133P4L1050 |

Spare parts

| Pos. | Description | Part no. |
|------|--|------------|
| 50 | Torch neck TBi 411, 50° | 133P001001 |
| 51 | Insulating washer | 130P002004 |
| 60 | Handle Expert cpl., water cooled | 380P230003 |
| 61 | Handle Expert cpl., water cooled, long trigger | 380P230004 |
| 62 | Screw for Expert handle | 100P541101 |
| 63 | Trigger, red, 2 poles | 385P021016 |
| 64 | Trigger long, red, 2 poles | 385P021018 |



Gas diffuser



| Pos. | Description | Part no. |
|------|--|------------|
| 30 | thermoset, black, very robust | 130P002026 |
| | ceramic, white, extremely heat resistant | 130P002019 |

Gas nozzle

| Pos. | Description | Part no. |
|------|--|------------|
| 40 | conical, NW 16 mm L= 75.5 mm | 345P012030 |
| 41 | conical, NW 16 mm Heavy Duty L= 75.5 mm | 345P012032 |
| 42 | conical, NW 14 mm L= 75.5 mm | 345P013030 |
| 43 | conical, NW 12 mm only for M6 L= 75.5 mm | 345P016030 |
| 44 | cylindrical, NW 20 mm L= 75.5 mm | 345P011030 |
| 45 | spot welding nozzle NW 20 mm L= 85 mm | 345P015030 |

| Pos. | Description | Part no. |
|------|---|-------------|
| 70 | Cable assembly Expert ,Classic', 2-C | 123P4040_0* |
| 71 | Fabric outer cover 25x1.5 mm, for Expert | 307P2528_E* |
| 72 | Water-power cable ,Classic', blue, 2-C | 316P1621_0* |
| 72 | Water-power cable ,Classic', black, HD (option) | 314P1621_0* |
| 73 | PVC hose, braided, black, 5x1.5 mm | 302P020000 |
| 74 | PVC-Gas hose, black, 4.5x1.5 mm | 302P010000 |
| 75 | Control cable x.30 m cpl. | 301P2304_0* |
| 76 | Wire conduit ,Classic', yellow | 356P0401_0* |
| 80 | Cable support Expert cpl., water cooled | 700P001066 |
| 81 | Clamping ring for outer cover | 600P102201 |
| 82 | Adaptor nut Expert (brass) | 700P001010 |
| 83 | Cap for adaptor nut Expert | 700P002059 |
| 84 | Grommet for Expert | 700P002058 |

| Pos. | Description | Part no. |
|------|--|------------|
| 85 | Central adaptor ESW cpl., 2 poles, moveable pins | 701P001049 |
| 86 | Sleeve nut M10x1 | 701P002005 |
| 87 | O-ring 4.0x1.0 mm (gas nipple) | 365P100040 |
| 88 | Screw M4x6 | 100P008401 |
| 90 | Quick connector | 701P002064 |
| 91 | Hose clamp with ring Ø 8.7 | 373P000087 |
| 92 | Hose clamp with ring Ø 9.5 | 373P100095 |
| 93 | Hose clamp with ring Ø 9.0 | 373P100090 |
| 94 | Cable lug, flat | 375P000023 |
| 95 | Insulated connector, male, round | 375P000004 |
| 96 | Insulated connector, female, round | 375P000003 |

Technical Data

Rating at 100% duty cycle
(10 min. cycle)

- Mixed gas: 450 A
- CO₂: 500 A

Cooling method Water cooling

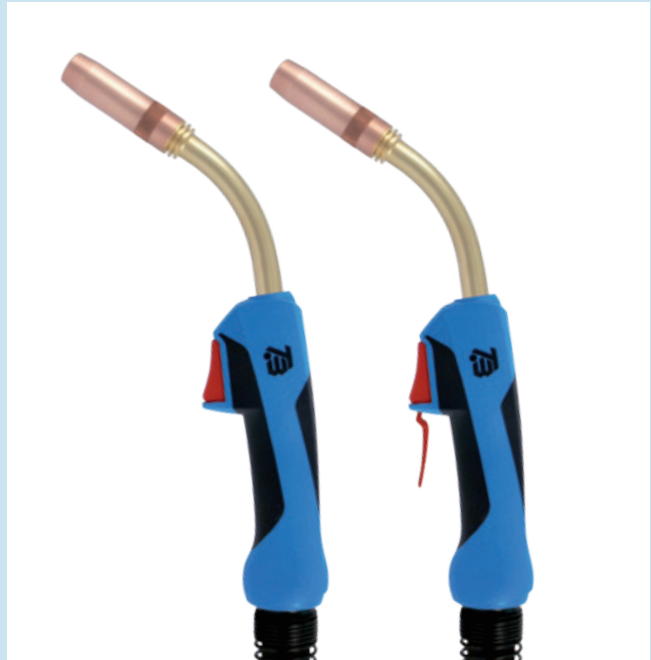
Wire diameter 1.0 - 1.6 mm

Gas flow 16 l/min

Technical specification according to IEC 60974-7

Connection Euro-Central connector
Other connectors are available upon request.

Torch rating will be reduced when using pulsed-arc power sources.



Contact tips

| | Pos. | | Part no. |
|-----------|------|---------------------|--------------------|
| M8 | ▶ 10 | ECu, M8 x 30 | 340P__1262* |
| | | CuCrZr, M8x30 | 340P__3262* |
| | | Alu, ECu, M8x30 | 341P__1262* |
| M6 | 11 | ECu, M6x28 | 340P__1069* |
| | | CuCrZr, M6x28 | 340P__3069* |
| | | Alu, ECu, M6x28 | 341P__1069* |

Tip holders

| | Pos. | | Part no. |
|--|------|---|-------------------|
| | ▶ 20 | for contact tip M8 | 342P008033 |
| | | for M8, CuCrZr for better cooling | 342P008171 |
| | | for contact tip M8, 4 mm longer version | 342P008133 |
| | 21 | for contact tip M6 | 342P006033 |
| | | for contact tip M6, 4 mm longer version | 342P006133 |

▶ = Standard equipment

* At the blank, please insert suitable information for torch length or wire diameter, e.g. 3 for 3 m or 08 for 0.8 mm.

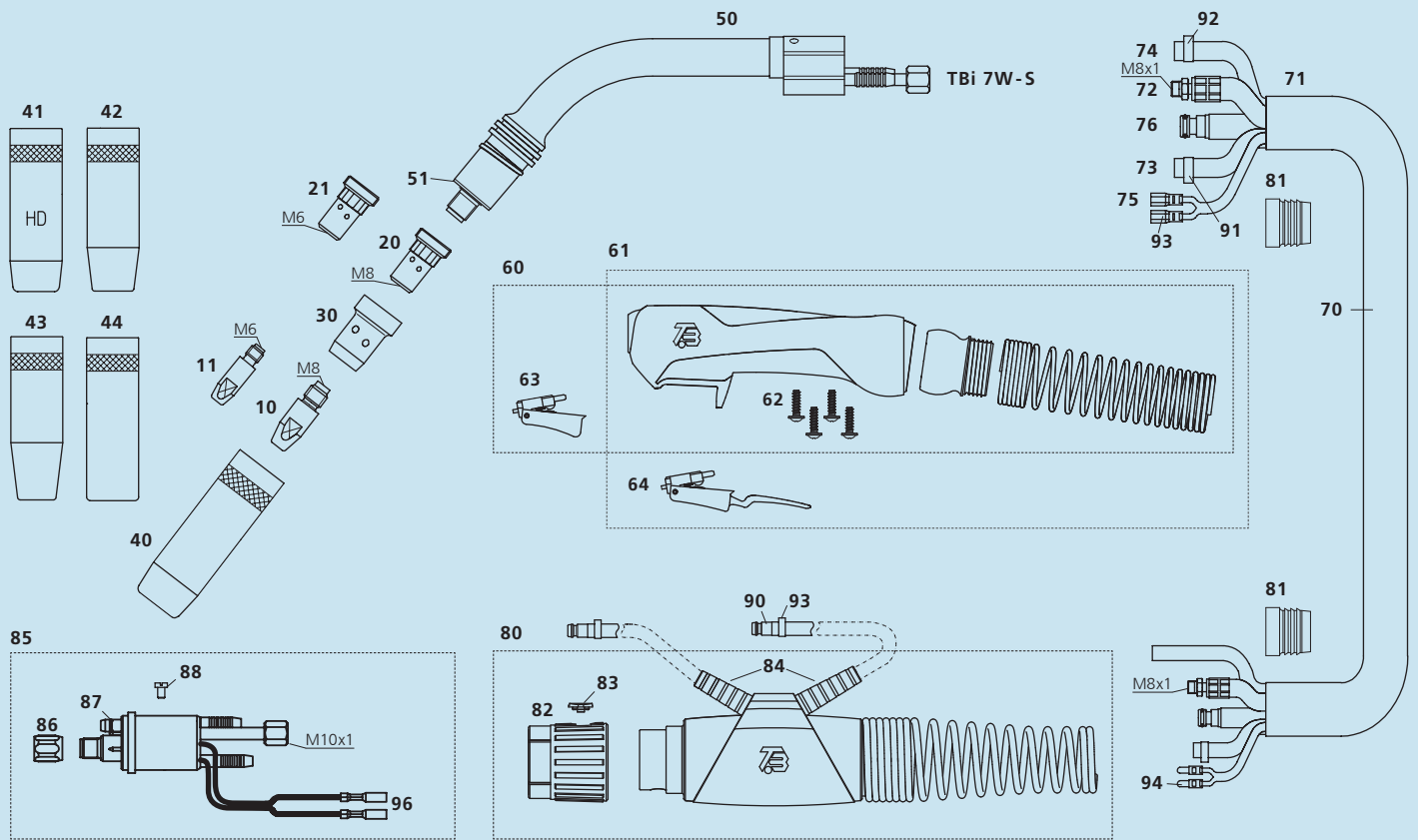
Ordering information for torches

Supplied equipped for steel wire Ø 1.0 mm.
Liner, not insulated (Ø 1.0 - 1.2 mm).

| | | |
|---|------------|-------------------|
| ▶ TBi 7W Expert Adapter nut ,brass' | 3 m | 174P422030 |
| | 4 m | 174P422040 |
| | 5 m | 174P422050 |
| TBi 7W Expert Long trigger (Adapter nut ,brass') | 3 m | 174P4L2030 |
| | 4 m | 174P4L2040 |
| | 5 m | 174P4L2050 |

Spare parts

| Pos. | Description | Part no. |
|------|--|------------|
| 50 | Torch neck TBi 7W-S (short), 50° | 174P101005 |
| 51 | Insulating washer | 130P002004 |
| 60 | Handle Expert cpl., water cooled | 380P230003 |
| 61 | Handle Expert cpl., water cooled, long trigger | 380P230004 |
| 62 | Screw for Expert handle | 100P541101 |
| 63 | Trigger, red, 2 poles | 385P021016 |
| 64 | Trigger long, red, 2 poles | 385P021018 |



Gas diffuser



| Pos. | Description | Part no. |
|------|--|------------|
| 30 | thermoset, black, very robust ceramic, white, extremely heat resistant | 130P002026 |
| | | 130P002019 |

Gas nozzle



| Pos. | Description | Part no. |
|------|--|------------|
| 40 | conical, NW 16 mm L= 75.5 mm | 345P022171 |
| 41 | conical, NW 16 mm Heavy Duty L= 75.5 mm | 345P022271 |
| 42 | conical, NW 14 mm L= 75.5 mm | 345P023171 |
| 43 | conical, NW 12 mm only for M6 L= 75.5 mm | 345P026171 |
| 44 | cylindrical, NW 19 mm L= 75.5 mm | 345P021171 |

| Pos. | Description | Part no. | Pos. | Description | Part no. |
|------|--|-------------|------|--|------------|
| 70 | Cable assembly Expert ,Top 2000', 2-C | 174P4040_0* | 85 | Central adaptor ESW cpl., moveable pins ,Top 2000' | 701P101006 |
| 71 | Fabric outer cover 25x1.5 mm, for Expert | 307P2528_E* | 86 | Sleeve nut M10x1 | 701P002005 |
| 72 | Water-power cable ,Top 2000', blue, 2-C | 316P1622_0* | 87 | O-ring 4.0x1.0 mm (gas nipple) | 365P100040 |
| 72 | Water-power cable ,Top 2000', black, HD (option) | 314P1622_0* | 88 | Screw M4x6 | 100P008401 |
| 73 | Water hose 2-C, black, 5x1.5 mm | 303P070000 | 90 | Quick connector | 701P002064 |
| 74 | PVC-Gas hose, black, 4.5x1.5 mm | 302P010000 | 91 | Hose clamp with ring Ø 8.7 | 373P000087 |
| 75 | Control cable x.30 m cpl. | 301P2304_0* | 92 | Hose clamp with ring Ø 9.5 | 373P100095 |
| 76 | Wire conduit ,Top 2000', yellow | 356P0C0C_0* | 93 | Hose clamp with ring Ø 9.0 | 373P100090 |
| 80 | Cable support Expert cpl., water cooled | 700P001066 | 94 | Cable lug, flat | 375P000023 |
| 81 | Clamping ring for outer cover | 600P102201 | 95 | Insulated connector, male, round | 375P000004 |
| 82 | Adaptor nut Expert (brass) | 700P001010 | 96 | Insulated connector, female, round | 375P000003 |
| 83 | Cap for adaptor nut Expert | 700P002059 | | | |
| 84 | Grommet for Expert | 700P002058 | | | |

Technical Data

Rating at 100% duty cycle
(10 min. cycle)

- Mixed gas: 500 A
- CO₂: 550 A

Cooling method 2-circuit water cooling

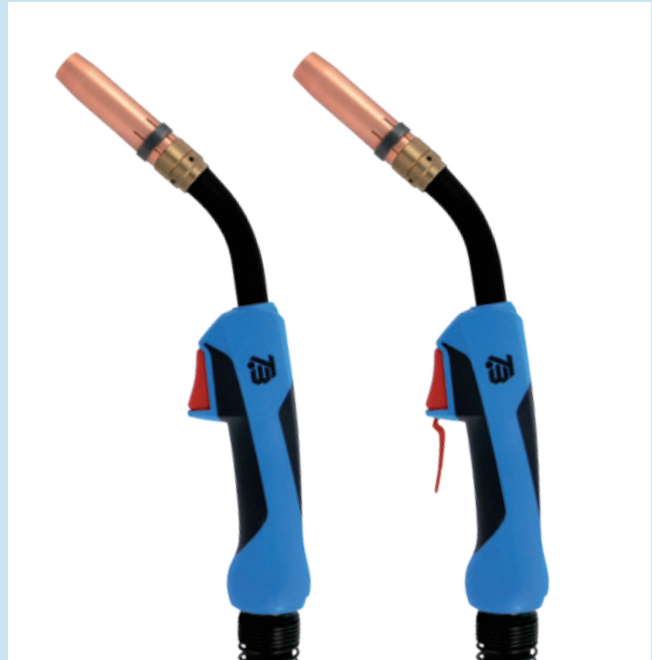
Wire diameter 1.2 - 1.6 mm

Gas flow 16 l/min

Technical specification according to IEC 60974-7

Connection Euro-Central connector
Other connectors are available upon request.

Torch rating will be reduced when using pulsed-arc power sources.



Contact tips

| | Pos. | Part no. |
|-----------|------|---------------------------------|
| M8 | ▶ 10 | ECu, M8 x 30 340P__1262* |
| | | CuCrZr, M8x30 340P__3262* |
| | | Alu, ECu, M8x30 341P__1262* |
| M6 | 11 | ECu, M6x28 340P__1069* |
| | | CuCrZr, M6x28 340P__3069* |
| | | Alu, ECu, M6x28 341P__1069* |

Tip holders

| | Pos. | Part no. |
|-----------|------|--|
| 20 | ▶ | for contact tip M8, CuCrZr 342P008171 |
| | | for contact tip M8, Ms 342P008033 |
| | | for contact tip M8, Ms 4mm longer version 342P008133 |
| 21 | ▶ | for contact tip M6 342P006033 |
| | | for contact tip M6, 4mm longer version 342P006133 |

▶ = Standard equipment

* At the blank, please insert suitable information for torch length or wire diameter, e.g. 3 for 3 m or 08 for 0.8 mm.

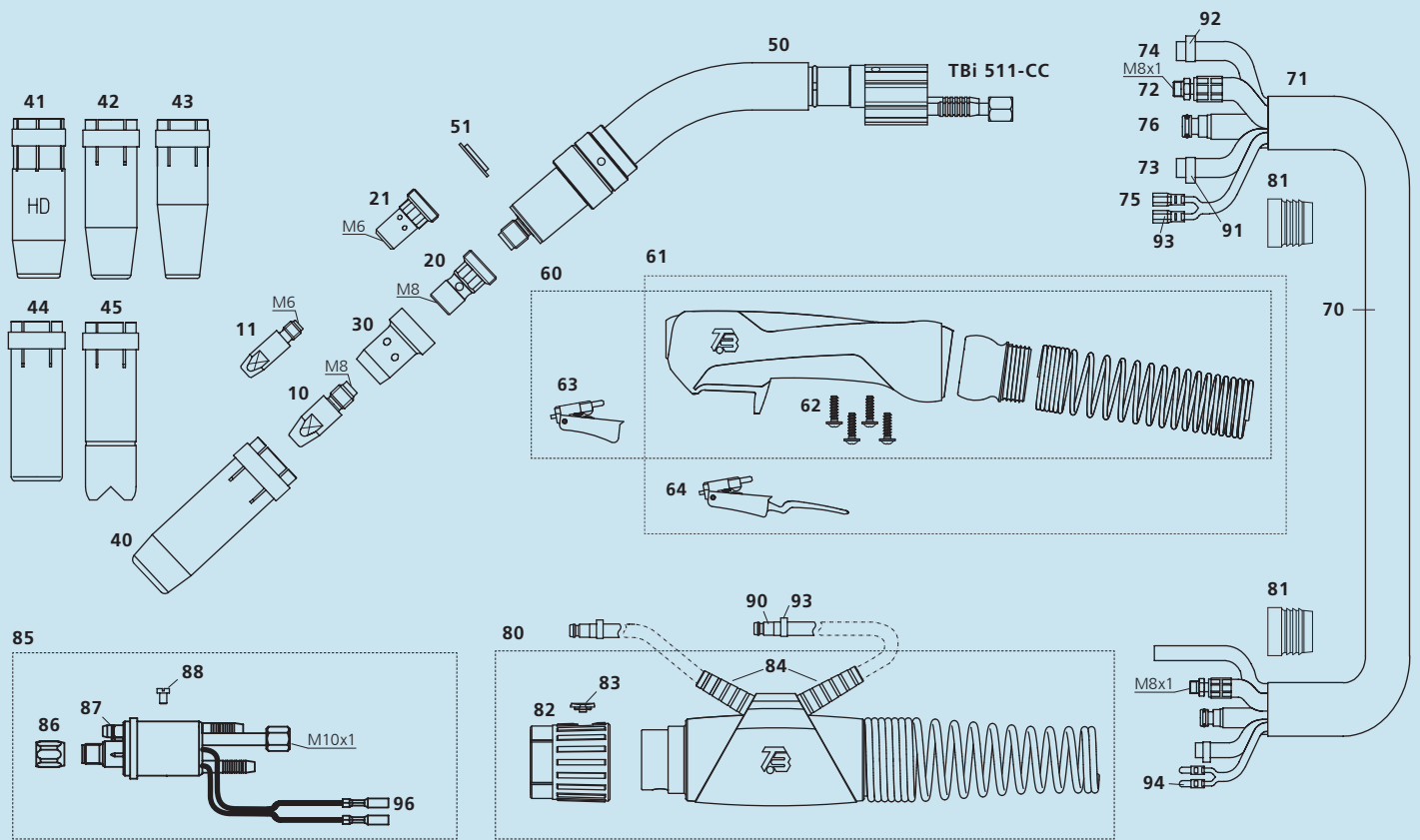
Ordering information for torches

Supplied equipped for steel wire Ø 1.2 mm.
Liner, not insulated (Ø 1.0 -1.2 mm).

| | | | |
|----------------------------|---|------------|-------------------|
| ▶ TBi 511-CC Expert | Adapter nut ,brass' | 3 m | 175P421030 |
| | | 4 m | 175P421040 |
| | | 5 m | 175P421050 |
| TBi 511-CC Expert | Long trigger (Adapter nut ,brass') | 3 m | 175P4L1030 |
| | | 4 m | 175P4L1040 |
| | | 5 m | 175P4L1050 |

Spare parts

| Pos. | Description | Part no. |
|------|--|------------|
| 50 | Torch neck TBi 511-CC | 175P101001 |
| 51 | Insulator | 175P102005 |
| 60 | Handle Expert cpl., water cooled | 380P230003 |
| 61 | Handle Expert cpl., water cooled, long trigger | 380P230004 |
| 62 | Screw for Expert handle | 100P541101 |
| 63 | Trigger, red, 2 poles | 385P021016 |
| 64 | Trigger long, red, 2 poles | 385P021018 |



Gas diffuser



| Pos. | Description | Part no. |
|------|--|------------|
| 30 | thermoset, black, very robust | 130P002026 |
| | ceramic, white, extremely heat resistant | 130P002019 |

Gas nozzle

| Pos. | Description | Part no. |
|------|--|------------|
| 40 | conical, NW 16 mm L= 75.5 mm | 345P012030 |
| 41 | conical, NW 16 mm Heavy Duty L= 75.5 mm | 345P012032 |
| 42 | conical, NW 14 mm L= 75.5 mm | 345P013030 |
| 43 | conical, NW 12 mm only for M6 L= 75.5 mm | 345P016030 |
| 44 | cylindrical, NW 20 mm L= 75.5 mm | 345P011030 |
| 45 | spot welding nozzle NW 20 mm L= 85 mm | 345P015030 |

| Pos. | Description | Part no. |
|------|--|-------------|
| 70 | Cable assembly Expert ,Top 2000', 2-C | 174P4040_0* |
| 71 | Fabric outer cover 25x1.5 mm, for Expert | 307P2528_E* |
| 72 | Water-power cable ,Top 2000', blue, 2-C | 316P1622_0* |
| 72 | Water-power cable ,Top 2000', black, HD (option) | 314P1622_0* |
| 73 | 2C-hose, black, 5x1.5 mm | 303P070000 |
| 74 | PVC-Gas hose, black, 4.5x1.5 mm | 302P010000 |
| 75 | Control cable x.30 m cpl. | 301P2304_0* |
| 76 | Wire conduit ,Top 2000', yellow | 356P0C0C_0* |
| 80 | Cable support Expert cpl., water cooled | 700P001066 |
| 81 | Clamping ring for outer cover | 600P102201 |
| 82 | Adaptor nut Expert (brass) | 700P001010 |
| 83 | Cap for adaptor nut Expert | 700P002059 |
| 84 | Grommet for Expert | 700P002058 |

| Pos. | Description | Part no. |
|------|--|------------|
| 85 | Central adaptor ESW cpl., moveable pins ,Top 2000' | 701P101006 |
| 86 | Sleeve nut M10 x 1 | 701P002005 |
| 87 | O-ring 4.0x1.0 mm (gas nipple) | 365P100040 |
| 88 | Screw M4x6 | 100P008401 |
| 90 | Quick connector | 701P002064 |
| 91 | Hose clamp with ring Ø 8.7 | 373P000087 |
| 92 | Hose clamp with ring Ø 9.5 | 373P100095 |
| 93 | Hose clamp with ring Ø 9.0 | 373P100090 |
| 94 | Cable lug, flat | 375P000023 |
| 95 | Insulated connector, male, round | 375P000004 |
| 96 | Insulated connector, female, round | 375P000003 |

Technical Data

Rating at 100% duty cycle
(10 min. cycle)

- Mixed gas: 500 A
- CO₂: 550 A

Cooling method 2-circuit water cooling

Wire diameter 1.2 - 1.6 mm

Gas flow 16 l/min

Technical specification according to IEC 60974-7

Connection Euro-Central connector
Other connectors are available upon request.

Torch rating will be reduced when using pulsed-arc power sources.



Contact tips

M8

| Pos. | Part no. |
|------|---------------------------------|
| ▶ 10 | ECu, M8 x 30 340P__1262* |
| | CuCrZr, M8x30 340P__3262* |
| | Alu, ECu, M8x30 341P__1262* |

M6

| Pos. | Part no. |
|------|-----------------------------|
| 11 | ECu, M6x28 340P__1069* |
| | CuCrZr, M6x28 340P__3069* |
| | Alu, ECu, M6x28 341P__1069* |

▶ = Standard equipment

* At the blank, please insert suitable information for torch length or wire diameter, e.g. 3 for 3 m or 08 for 0.8 mm.

Tip holders



| Pos. | Part no. |
|------|--|
| ▶ 20 | for contact tip M8, CuCrZr 342P008171 |
| | for contact tip M8, Ms 342P008033 |
| | for contact tip M8, Ms 4mm longer version 342P008133 |



| Pos. | Part no. |
|------|---|
| 21 | for contact tip M6 342P006033 |
| | for contact tip M6, 4mm longer version 342P006133 |

Ordering information for torches

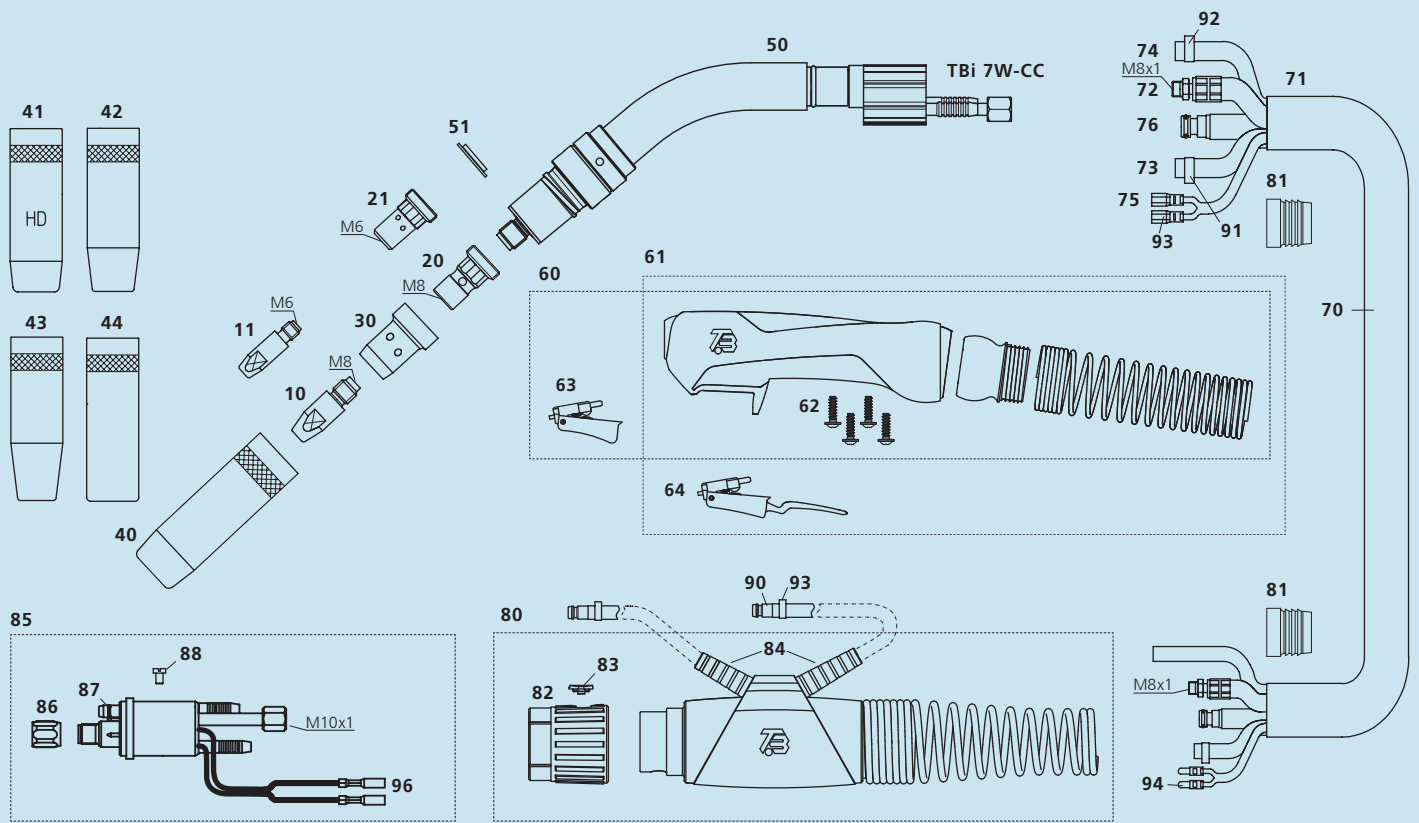
Supplied equipped for steel wire Ø 1.2 mm.
Liner, not insulated (Ø 1.0 - 1.2 mm).

| Torch | Accessory | Length | Part no. |
|--------------------|---------------------|--------|------------|
| ▶ TBi 7W-CC Expert | Adapter nut ,brass' | 3 m | 177P422030 |
| | | 4 m | 177P422040 |
| | | 5 m | 177P422050 |

| Torch | Accessory | Length | Part no. |
|------------------|---------------------------------------|--------|------------|
| TBi 7W-CC Expert | Long trigger (Adapter nut ,brass') | 3 m | 177P4L2030 |
| | | 4 m | 177P4L2040 |
| | | 5 m | 177P4L2050 |

Spare parts

| Pos. | Description | Part no. |
|------|--|------------|
| 50 | Torch neck TBi 7W-CC | 177P101001 |
| 51 | Insulator | 175P102005 |
| 60 | Handle Expert cpl., water cooled | 380P230003 |
| 61 | Handle Expert cpl., water cooled, long trigger | 380P230004 |
| 62 | Screw for Expert handle | 100P541101 |
| 63 | Trigger, red, 2 poles | 385P021016 |
| 64 | Trigger long, red, 2 poles | 385P021018 |



Gas diffuser



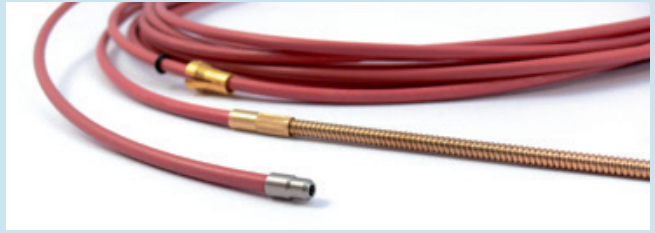

| Pos. | Description | Part no. |
|------|--|------------|
| 30 | thermoset, black, very robust | 130P002026 |
| | ceramic, white, extremely heat resistant | 130P002019 |

Gas nozzle




| Pos. | Description | Part no. |
|------|--|------------|
| 40 | conical, NW 16 mm L= 75.5 mm | 345P022171 |
| 41 | conical, NW 16 mm Heavy Duty L= 75.5 mm | 345P022271 |
| 42 | conical, NW 14 mm L= 75.5 mm | 345P023171 |
| 43 | conical, NW 12 mm only for M6 L= 75.5 mm | 345P026171 |
| 44 | cylindrical, NW 19 mm L= 75.5 mm | 345P021171 |


| Pos. | Description | Part no. | Pos. | Description | Part no. |
|------|--|-------------|------|--|------------|
| 70 | Cable assembly Expert ,Top 2000', 2-C | 174P4040_0* | 85 | Central adaptor ESW cpl., moveable pins ,Top 2000' | 701P101006 |
| 71 | Fabric outer cover 25x1.5 mm, for Expert | 307P2528_E* | 86 | Sleeve nut M10x1 | 701P002005 |
| 72 | Water-power cable ,Top 2000', blue, 2-C | 316P1622_0* | 87 | O-ring 4.0x1.0 mm (gas nipple) | 365P100040 |
| 72 | Water-power cable ,Top 2000', black, HD (option) | 314P1622_0* | 88 | Screw M4x6 | 100P008401 |
| 73 | 2C-hose, black, 5x1.5 mm | 303P070000 | 90 | Quick connector | 701P002064 |
| 74 | PVC-Gas hose, black, 4.5x1.5 mm | 302P010000 | 91 | Hose clamp with ring Ø 8.7 | 373P000087 |
| 75 | Control cable x.30 m cpl. | 301P2304_0* | 92 | Hose clamp with ring Ø 9.5 | 373P100095 |
| 76 | Wire conduit ,Top 2000', yellow | 356P0C0C_0* | 93 | Hose clamp with ring Ø 9.0 | 373P100090 |
| 80 | Cable support Expert cpl., water cooled | 700P001066 | 94 | Cable lug, flat | 375P000023 |
| 81 | Clamping ring for outer cover | 600P102201 | 95 | Insulated connector, male, round | 375P000004 |
| 82 | Adaptor nut Expert (brass) | 700P001010 | 96 | Insulated connector, female, round | 375P000003 |
| 83 | Cap for adaptor nut Expert | 700P002059 | | | |
| 84 | Grommet for Expert | 700P002058 | | | |

| | | gas cooled torches | water cooled torches | for wire | color | Part no. |
|---------------------------------|----------------------|-------------------------------------|-------------------------------------|-----------|------------|-------------|
| for steel wire | insulated liners | <input checked="" type="checkbox"/> | <input checked="" type="checkbox"/> | 0.6 - 0.9 | white | 324P1338_4* |
| | | <input checked="" type="checkbox"/> | <input checked="" type="checkbox"/> | 0.8 - 1.0 | blue | 324P1545_4* |
| | | <input checked="" type="checkbox"/> | <input type="checkbox"/> | 1.0 - 1.2 | red | 324P2045_4* |
| | | <input checked="" type="checkbox"/> | <input type="checkbox"/> | 1.2 - 1.6 | yellow | 324P2545_4* |
| | not insulated liners | | <input checked="" type="checkbox"/> | 1.0 - 1.2 | not insul. | 322P2045_4* |
| | | | <input checked="" type="checkbox"/> | 1.2 - 1.6 | not insul. | 322P2545_4* |
| for stainless steel wire | not insulated liners | | <input type="checkbox"/> | 0.8 - 1.2 | not insul. | 321P2250_4 |
| | | | <input type="checkbox"/> | 1.6 - 2.0 | not insul. | 321P3550_4 |



| | | gas cooled torches | water cooled torches | for wire | color | Part no. |
|--|--------------------|--------------------------|-------------------------------------|-----------|-------------|-------------|
| for aluminum and stainless steel wire | PA liners | | <input checked="" type="checkbox"/> | 0.8 - 1.2 | anthracite | 328P2040_5* |
| | | | <input checked="" type="checkbox"/> | 1.2 - 1.6 | anthracite | 328P2347_5* |
| | PTFE liners | | <input type="checkbox"/> | 0.8 - 1.0 | blue | 326P1540_5* |
| | | | <input type="checkbox"/> | 1.0 - 1.2 | red | 326P2040_5* |
| | | | <input type="checkbox"/> | 1.2 - 1.6 | yellow | 326P2747_5* |
| | Carbon-PTFE liners | | <input type="checkbox"/> | 0.8 - 1.0 | black | 327P1540_5* |
| | | | <input type="checkbox"/> | 1.0 - 1.2 | black | 327P2040_5* |
| | | | <input type="checkbox"/> | 1.2 - 1.6 | black | 327P2747_5* |
| CeraGlide with steel tip | | <input type="checkbox"/> | 1.0 - 1.2 | bordeaux | 326P2040_K* | |
| | | <input type="checkbox"/> | 1.2 - 1.6 | bordeaux | 326P2347_K* | |



| | | gas cooled torches | water cooled torches | for wire | color | Part no. |
|---------------------|-------------------------------|-------------------------------------|--------------------------|-----------|------------|-------------|
| for aluminum | PA liners with bronze liner | <input checked="" type="checkbox"/> | <input type="checkbox"/> | 0.8 - 1.0 | anthracite | 328P2040_A* |
| | | <input checked="" type="checkbox"/> | <input type="checkbox"/> | 1.2 - 1.6 | anthracite | 328P2347_A* |
| | PTFE liners with bronze liner | <input type="checkbox"/> | <input type="checkbox"/> | 0.8 | blue | 326P1540_A* |
| | | <input type="checkbox"/> | <input type="checkbox"/> | 1.0 | red | 326P2040_A* |
| | | <input type="checkbox"/> | <input type="checkbox"/> | 1.2 - 1.6 | yellow | 326P2747_A* |
| | CeraGlide with bronze liner | <input type="checkbox"/> | <input type="checkbox"/> | 1.0 | bordeaux | 326P2040_H* |
| | | <input type="checkbox"/> | <input type="checkbox"/> | 1.2 - 1.6 | bordeaux | 326P2347_H* |

recommended optional

* At the blank, please insert suitable information for torch length, e.g. 3, 4 or 5 for 3 m, 4 m or 5 m long torches.

TBi ArcVisor^{Plus}

The TBi ArcVisorPlus Welding Helmet provides the technical characteristics of a premium product as well as an attractive design. The large viewing area and various possibilities of adjustment guarantee ergonomic working conditions for the professional welder.

Due to the exceptionally high quality optical filter with classification 1/1/1/1 and its 4 sensors the helmet is destined for MIG/MAG, TIG and Plasma welding. The helmet can also be used for light grinding work.

- Filter quality classification 1/1/1/1
- Viewing area 98 x 55 mm

PU 12 TBi ArcVisor Plus, DIN 9 - 13

Part no. 714P101023

**Welding glove MIG/MAG**

Welding glove from dyed cow split leather, protection according to EN12477 Type A.

High comfort due to moisture absorbing inner lining and flexible thumb. Reinforced inner palm with double stitched seam. A length of 38 cm provides optimum protection for hand and wrist.

PU 12 Welding glove MIG/MAG

Part no. 714P102500

**TBi Anti-spatter spray Classic**

The TBi anti-spatter spray Classic effectively prevents adhesion of welding spatter on the nozzle and the work piece. Apply regularly to the torch head to increase the lifetime of consumables and facilitate cleaning of the torch.

- Excellent anti-stick properties
- Free of silicone and water
- Temperature resistant up to 180 °C
- Suitable for later surface treatment of the work piece

PU 12 TBi anti-spatter spray Classic (400 ml)

Part no. 392P000074

**Magnetic torch support MIG/MAG**

Provides a reliable place to put down a hot torch after welding. Can be positioned near the work place. Strong magnet for secure hold on a suitable metallic object.

PU 1 Magnetic torch support for MIG/MAG

Part no. 391P000030





Massekabel komplett

The fully assembled ground cables consist of welding cable, plug and high quality cast brass ground clamp.

| | | |
|------|---|----------------------|
| PU 1 | Ground cable, 16 mm ² , max. 150 A / 60% cpl. with plug TSB 10 / 25 (9 mm) and brass ground clamp 250 A | Part no. 399P1621_0* |
| PU 1 | Ground cable, 25 mm ² , max. 200 A / 60% cpl. with plug TSB 10 / 25 (9 mm) and brass ground clamp 250 A | Art.-Nr. 399P2521_0* |
| PU 1 | Ground cable, 25 mm ² , max. 200 A / 60% cpl. with plug TSB 35 / 50 (13 mm) and brass ground clamp 250 A | Art.-Nr. 399P2523_0* |
| PU 1 | Ground cable, 35 mm ² , max. 300 A / 60% cpl. with plug TSB 35 / 50 (13 mm) and brass ground clamp 300 A | Art.-Nr. 399P3563_0* |
| PU 1 | Ground cable, 50 mm ² , max. 400 A / 60% cpl. with plug TSB 50 / 70 (13 mm) and brass ground clamp 400 A | Art.-Nr. 399P5065_0* |
| PU 1 | Ground cable, 70 mm ² , max. 500 A / 60% cpl. with plug TSB 70 / 95 (13 mm) and brass ground clamp 500 A | Art.-Nr. 399P7077_0* |



TBi *beCool* 2.2 cooling unit

Compact recirculation cooler for water cooled welding torches.

- 2.200 Watt thermal cooling power
- Max. water pressure 4 bar
- Thermal protection for pump motor
- Version *beCool* 2.2 includes a flow sensor
- *beCool* 2.2 Sensor Plus includes a flow and temperature sensor and provides optimum protection for your water cooled torch
- Recommended cooling liquid: TBi *beCool* Fluid

| | | |
|------|--|---------------------|
| PU 1 | TBi <i>beCool</i> 2.2 (230 V / 50 HZ) | Part no. 550P348024 |
| PU 1 | TBi <i>beCool</i> 2.2 Sensor (230 V / 50 HZ) | Part no. 550P358024 |
| PU 1 | TBi <i>beCool</i> 2.2 Sensor Plus (230 V / 50/60 HZ) | Part no. 550P358025 |
| PU 1 | TBi <i>beCool</i> 2.2 Sensor (115 V / 50/60 HZ) | Part no. 550P358011 |
| PU 1 | TBi <i>beCool</i> 2.2 Sensor Plus (115 V / 50/60 HZ) | Part no. 550P358012 |



TBi CoolingFluid Pro

Cooling fluid with corrosion inhibitors for recirculating water coolers, optimized for welding applications. Anti-freeze protection up to -15 °C. The cooling fluid must not be diluted or mixed with other fluids.

Advantages

- Anti-freeze protection to -15° C
- High flash point > 65 °C for increased safety

| | | |
|------|------------------------------|---------------------|
| PU 1 | TBi CoolingFluid Pro (10 kg) | Part no. 392P000095 |
|------|------------------------------|---------------------|

Ready for Tomorrow.

© 2017 Tbi Industries GmbH. All rights reserved. Subject to change without notice. Excerpts and reprints not permitted. Nr. DOKP110012, 04/2017.

Tbi Industries GmbH
Ruhberg 14
D-35463 Fernwald-Steinbach
P.O. Box 67
D-35461 Fernwald-Steinbach

Tel. + 49 6404 9171-0
Fax. + 49 6404 9171-40
Internet: www.tbi-industries.com
E-mail: info@tbi-industries.com